

H&S PARTS BOOK

HP4142 SPREADER



Revision #01
Starting Ser. #614393

Part #72478
HSMFG0616

P.O. BOX 768, MARSHFIELD, WI 54449
(715) 387-3414 FAX (715) 384-5463
www.hsmfgco.com

CONTENTS

Instructions for Ordering Parts	1
Figure 1 - Frame Assembly	2-5
Figure 2 - Tandem Axle	6-9
Figure 3 - Beater Drive Train	10-13
Figure 4 - Endgate	14-15
Figure 5 - Beaters	16-19
Figure 6 - Pusher	20-23
Figure 7 - Pusher and Endgate hyd. Components	24-27
Figure 8 - Endgate Cylinder	28-29
Figure 9 - Hydraulic Pusher Cylinder	30-31
Figure 10 - Beater Gearbox	32-33
Figure 11 - Vertical Beater Frame	34-37
Figure 12 - Vertical Beater Drive Train	38-41
Figure 13 - Superior Gearbox Left	42
Figure 14 - Superior Gearbox Right	43
Figure 15 - Chain Oiler	44-45
Figure 16 - Optional Lighting	46
Figure 17 - Optional Rear Pan	47
Figure 18 - 1-3/8 540 Rpm Clutched Pto Option	48
Figure 19 - 1-3/8 1000 Rpm Clutched Pto Option	49
Figure 20 - 1-3/4 1000 Rpm Clutched Pto Option	50
Figure 21 - 1-3/8 1000 Rpm Shear Bolt Pto Option	51
Figure 22 - 1-3/4 1000 Rpm Shear Bolt Pto Option	51
Notes	52

INSTRUCTIONS FOR ORDERING PARTS

All service parts should be ordered through your authorized H&S dealer. He will be able to give you faster service if you will provide them with the following:

1. Model & Serial Number - Both can be located on the side of the center bearing post above jack mount.
2. All references to left or right apply to the machine as viewed from the rear.
3. Parts should not be ordered from illustration only. Please order complete part number.
4. If your dealer has to order parts - give shipping instructions:

VIA truck - large pieces (please specify local truck lines)

VIA United Parcel Service (include full address)

H&S MFG. CO. INC.	
MARSHFIELD, WIS.	
MOD. NO.	<input type="text"/>
SER. NO.	<input type="text"/>
DESCR.	<input type="text"/>

PLEASE RECORD NUMBERS FOR YOUR UNIT FOR QUICK REFERENCE

ABOUT IMPROVEMENTS

H&S IS CONTINUALLY STRIVING TO IMPROVE IT'S PRODUCTS

We must therefore, reserve the right to make improvements or changes whenever it becomes practical to do so, without incurring any obligation to make changes or additions to the equipment previously sold.

FIGURE 1

FRAME ASSEMBLY

<u>ITEM</u>	<u>QTY</u>	<u>PART #</u>	<u>DESCRIPTION</u>
1	1	27N49	JACK
2	1	27N50	TJP-PN58 5/8" PIN & CHAIN
3	1	12N119	JACK HANDLE
4	1	16SV329	PTO SHIELD
5	1	42N1	SHIELD MOUNT
*	2	YMRV10005	5/16" X 1 SLD RIVET FLT NAIL HD PLAIN
6	1	YPHR02005	HAIR PIN, #21-05 (1-7/8" LONG, 3/8-7/16" SHAFT)
7	1	16SV327	PTO SHIELD BOTTOM
8	1	42N2	PTO HOLDER
9	1	42N3	SPRING
10	1	12N14	JACK MOUNT
11	2	42N4	WOOD RAIL
12	1	42N5	FRONT PANEL
13	1	42N43	SMV BRACKET
14	2	66077	NIPPLE, 1/8" MALE PIPE X 2-1/2"
15	4	S47	GREASE FITTING
16	2	42N41	GREASE LINE
17	2	16V9	GREASE BRACKET
18	1	42N8	SIDE POLY RIGHT
*	1	42N9	SIDE POLY LEFT
19	1	42N10	FLOOR POLY RIGHT
*	1	42N11	FLOOR POLY LEFT

NOTE: * MEANS NOT SHOWN

FIGURE 1

FRAME ASSEMBLY

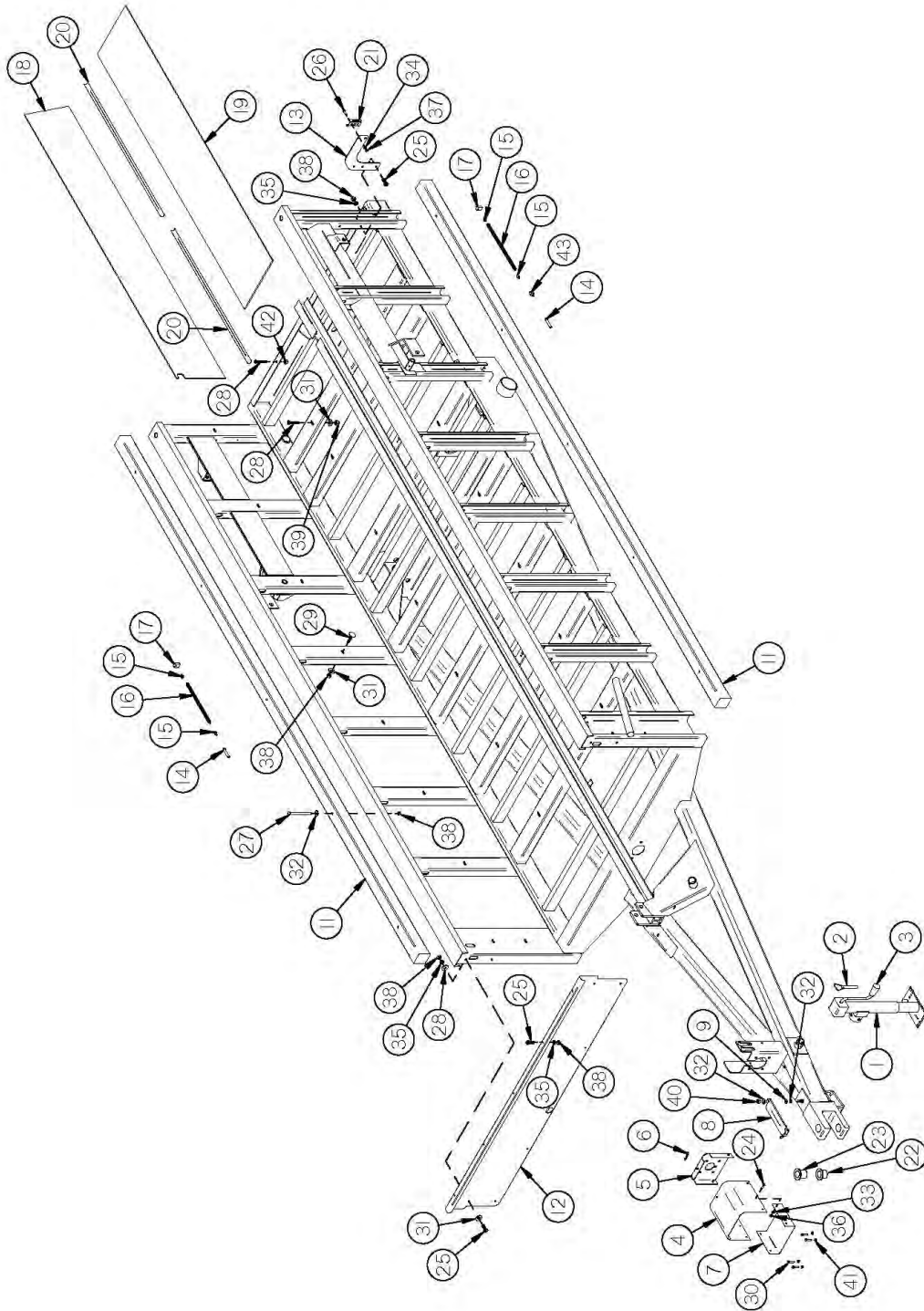


FIGURE 1

FRAME ASSEMBLY

<u>ITEM</u>	<u>QTY</u>	<u>PART#</u>	<u>DESCRIPTION</u>
20	4	42N12	POLY SIDE ANGLE
21	1	F97	SMV HOLDER
22	1	42N166	HITCH PIN BUSHING BOTTOM (OPTIONAL)
23	1	42N167	HITCH PIN BUSHING TOP (OPTIONAL)
24	4	YBHH08010	BOLT, 1/4" X 1" GR. 5
25	11	YBHH12010	BOLT, 3/8" X 1" GR. 5
26	2	YBCR10030	CARR. BOLT, 5/16" X 3/4" GR. 5
27	10	YBCR12105	CARR. BOLT, 3/8" X 4-1/2" GR. 5 FULL THREAD
28	20	YSFS12005	FLAT HEAD SOCKET CAP SCREW 3/8"-16 X 1-1/4" GR 5. ZINC
29	18	YBPL12010	#3 FLAT HEAD PLOW BOLT, 3/8"-16 X 1-1/4" GR. 5, ZINC
30	4	YBHH10070	SHEAR BOLT 5/16" x 2" GR. 5 (1000 RPM)
*	4	YBHH10075	SHEAR BOLT 5/16" x 2" GR.8 (540 RPM)
31	40	YWFL12005	WASHER, FLAT, 3/8" USS
32	12	YWFL14005	WASHER, FLAT, 7/16" USS
33	4	YWLO08005	WASHER, LOCK, 1/4"
34	2	YWLO10005	WASHER, LOCK, 5/16"
35	11	YWLO12005	WASHER, LOCK, 3/8"
36	4	YNHX08005	HEX NUT, 1/4"-20
37	2	YNHX10005	HEX NUT, 5/16"
38	39	YNHX12005	HEX NUT, 3/8"-16
39	14	YNNY12005	HEX NUT, NYLON LOCKNUT, 3/8"
40	1	YNNY16005	HEX NUT, NYLON LOCKNUT, 1/2"
41	4	YNRL10005	HEX NUT, REVERSIBLE-SIDE LOCK, 5/16"-18
42	6	YNTL12005	HEX NUT, TOP LOCK, 3/8"-16
43	1	66079	HEX ADAPTER, 1/4" FEMALE & 1/8" FEMALE PIPE

NOTE: * MEANS NOT SHOWN

FIGURE 2

TANDEM AXLE

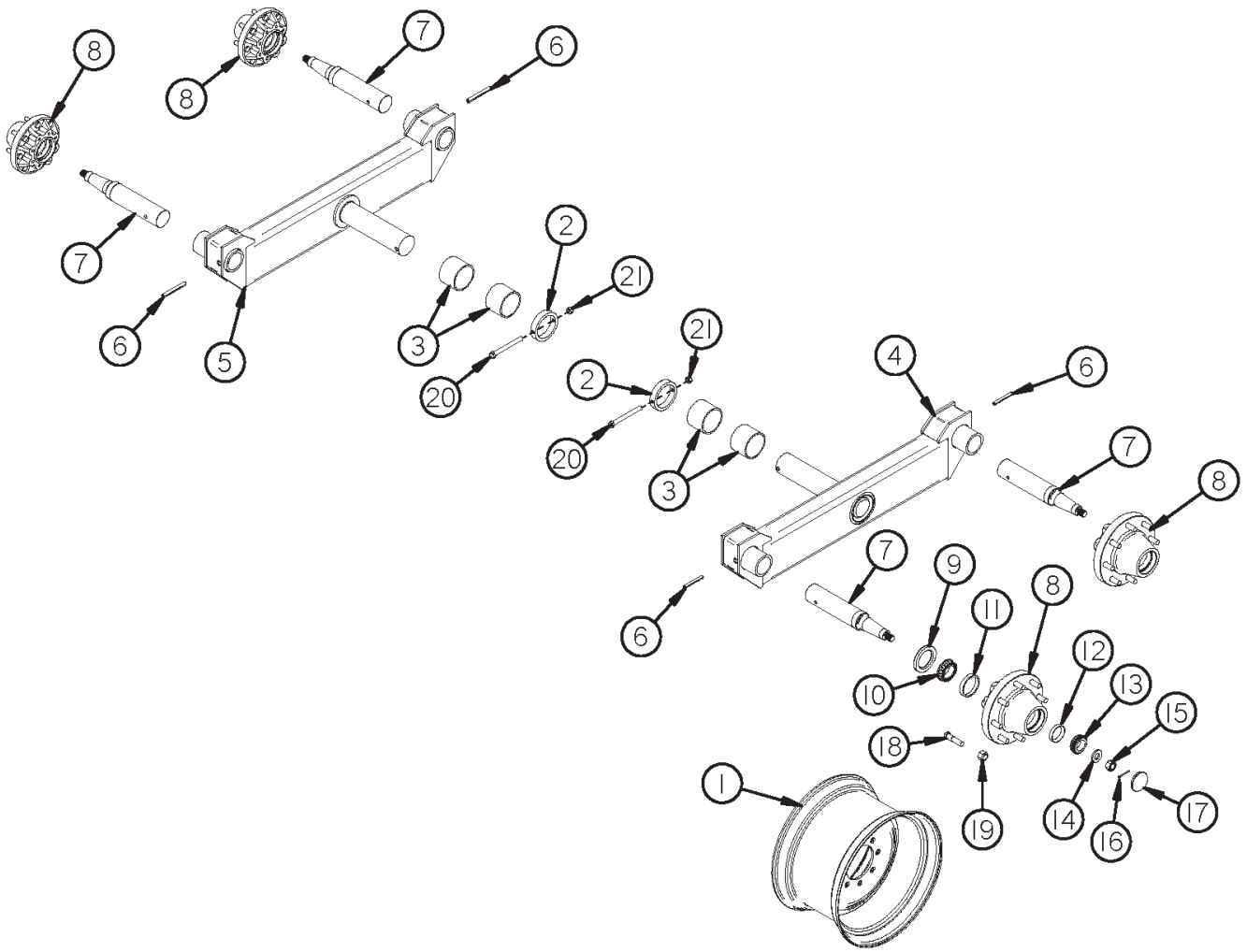


FIGURE 2

TANDEM AXLE

<u>ITEM</u>	<u>QTY</u>	<u>PART#</u>	<u>DESCRIPTION</u>
1	4	16SV89	WHEEL 13.5 X 22.5
*	4	42N138	TIRE (385 x 22.5 TRUCK)
OPT.	4	12N36	WHEEL 16.1 X 14 (8 Bolt)
OPT.	4	23N54	TIRE (16.5 X 16.1 FLOTATION)
2	2	45N35	COLLAR FOR AXLE
3	4	45N36	COLLAR FOR AXLE
4	1	42N6	BUSHING FOR TANDEM AXLE
5	1	42N7	TANDEM AXLE RIGHT
6	4	31N14	ROLL PIN
7	4	33SV40	SPINDLE
8	4	33SV45	HUB
*	4	RG275	758 (B) HUB WITH BEARING
9	4	33SV42	SEAL
10	4	33SV43	INNER BEARING

NOTE: * MEANS NOT SHOWN

FIGURE 2

TANDEM AXLE

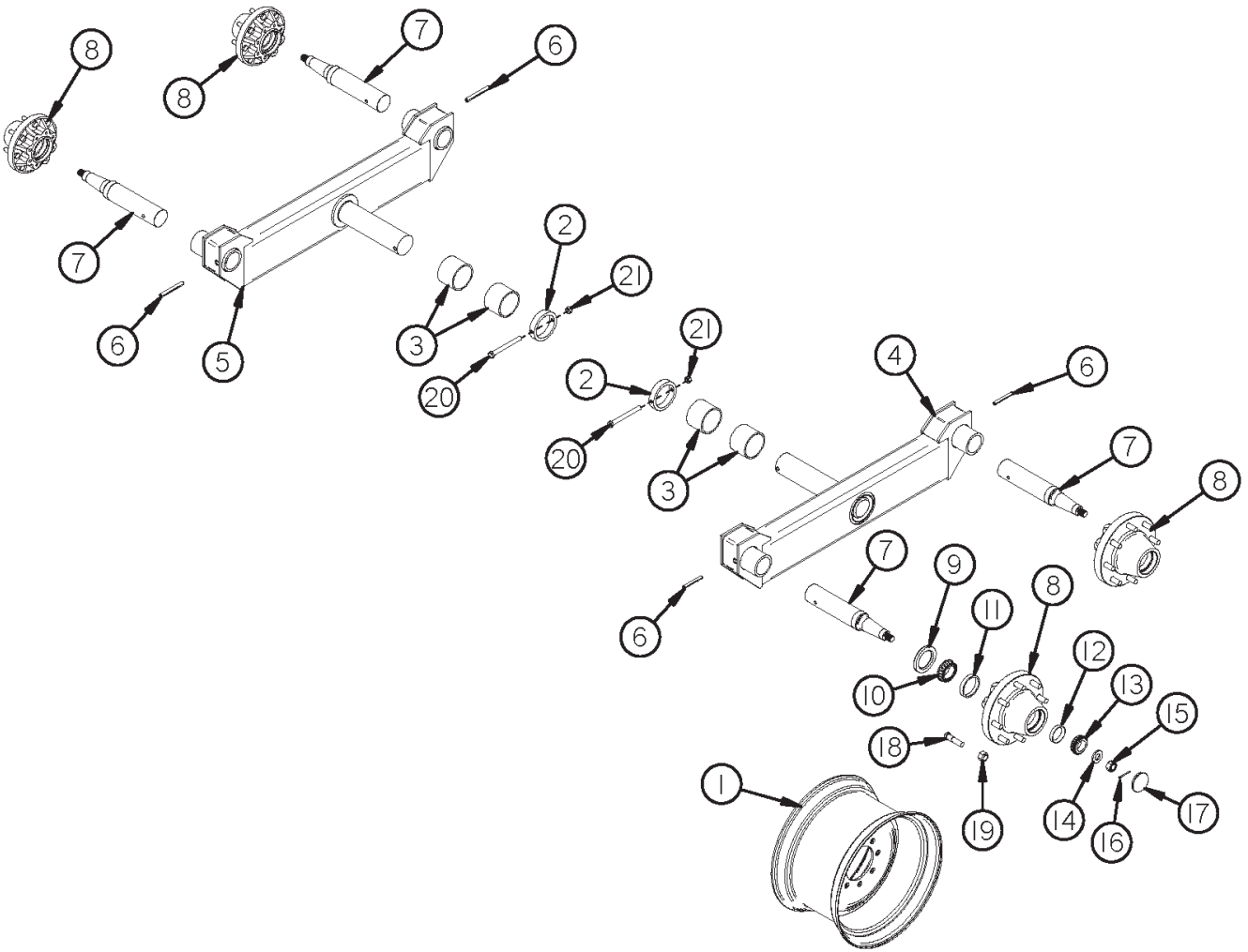


FIGURE 2
TANDEM AXLE

<u>ITEM</u>	<u>QTY</u>	<u>PART#</u>	<u>DESCRIPTION</u>
11	4	33SV44	INNER RACE
12	4	RG169	OUTER RACE
13	4	RG70	OUTER BEARING
14	4	33SV95	WASHER
15	4	YNSL32005	HEX NUT, SLOTTED, 1"-14
16	4	33SV46	COTTER PIN
17	4	RG171	HUB CAP
18	32	YBSD20010	STUD BOLT, 5/8"-18 UNF X 2-1/2" (7/8" SHOULDER)
19	32	YNWL24005	WHEEL NUT, 5/8"-18 UNF
20	2	YBHH16160	BOLT, 1/2" X 5-1/2" GR. 5
21	2	YNNY16005	HEX NUT, NYLON LOCKNUT, 1/2"

FIGURE 3
BEATER DRIVE TRAIN



FIGURE 3

BEATER DRIVE TRAIN

<u>ITEM</u>	<u>QTY</u>	<u>PART #</u>	<u>DESCRIPTION</u>
1	1	42N13	INPUT SHAFT SHIELD
2	1	42N14	INPUT SHIELD ANGLE
3	1	42N15	INPUT SHIELD BACK
4	1	S138	3/8" X 2-3/8" KEY W/ ROUND ENDS
5	2	12V62	SNAP RING
6	1	42N16	INPUT PVC SHIELD
7	2	12V99	BEARING
8	1	42N17	INPUT SHAFT
9	1	42N18	BEARING
10	1	42N19	DRIVE SHAFT CENTER PVC SHIELD
11	2	42N137	BEARING SADDLE
12	1	42N20	DRIVE SHAFT MIDDLE PVC SHIELD
13	1	42N21	DRIVE SHAFT BACK PVC SHIELD
14	1	56783	CROSS SHAFT - FOR CLUTCH
15	1	42N23	CROSS SHAFT PVC SHIELD
16	2	42N24	SPROCKET 50-B-20 1-1/2 BORE
17	2	42N25	SPROCKET 50-B-20 1-3/4 BORE
18	5	56N174	3/8" X 2" KEY W/ ROUND ENDS (HARDENED)
19	1	42N26	GEARBOX
20	2	HGV124	CONNECTOR CHAIN #50 X 20 PITCHES
21	1	56769	CLUTCH, OVER RUNNING
22	1	42N49	GEARBOX GUSSET
23	2	42N100	BEARING

FIGURE 3

BEATER DRIVE TRAIN

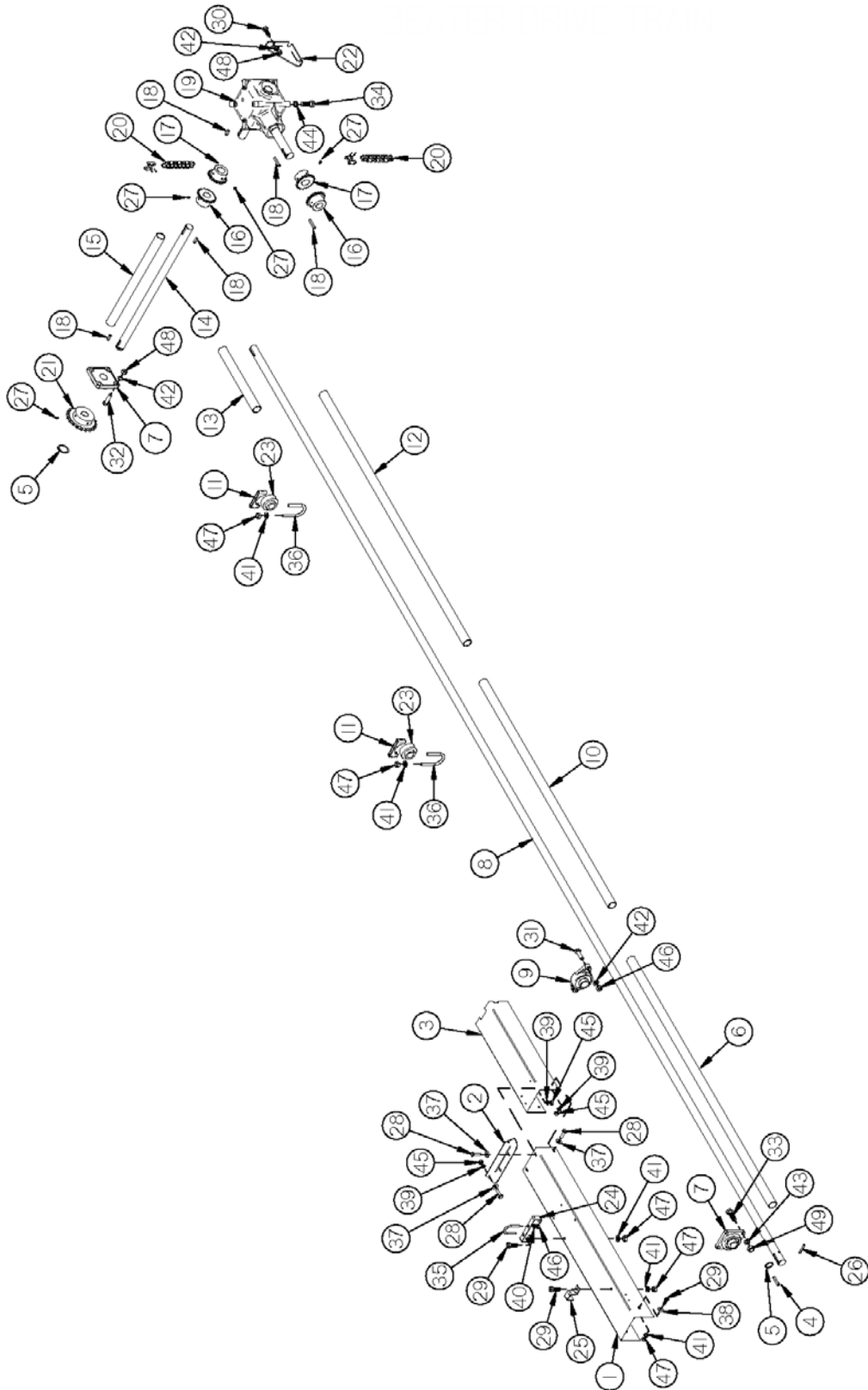


FIGURE 3

BEATER DRIVE TRAIN

<u>ITEM</u>	<u>QTY</u>	<u>PART#</u>	<u>DESCRIPTION</u>
24	1	42N101	HOSE HOLDER
25	1	HE14	SMALL PIPE BRACKET
26	1	YPEX12023	EXPANSION PIN, 3/8" X 2-1/2"
27	10	YSKP12025	SET SCREW, SOCKET, KNURLED CUP PT, 3/8"-16 X 3/8"
28	6	YBHH08010	BOLT, 1/4" X 1" GR. 5
29	5	YBHH12010	BOLT, 3/8" X 1" GR. 5
30	2	YBHH16045	BOLT, 1/2" X 1-1/4" GR. 5
31	2	YBHH16030	BOLT, 1/2" X 1-1/2" GR. 5
32	4	YBHH16055	BOLT, 1/2" X 1-3/4" GR. 5
33	4	YBHH18015	BOLT, HEX HEAD, 9/16"-12 X 2" GR. 5, ZINC FINISH
34	4	YBHH20010	BOLT, 5/8" X 1-1/2" GR. 5
35	1	YBPU10007	PIPE U BOLT, 5/16" X 2" ID
36	2	YBPU12025	3/8"-16 X 3" PIPE SIZE ZINC PLATED ROUND BEND U-BOLT
37	6	YWFL08005	WASHER, FLAT, 1/4" USS
38	2	YWFL12005	WASHER, FLAT, 3/8" USS
39	6	YWLO08005	WASHER, LOCK, 1/4"
40	2	YWLO10005	WASHER, LOCK, 5/16"
41	5	YWLO12005	WASHER, LOCK, 3/8"
42	8	YWLO16005	WASHER, LOCK, 1/2"
43	4	YWLO18005	WASHER, LOCK, 9/16"
44	4	YWLO20005	WASHER, LOCK, 5/8"
45	6	YNHX08005	HEX NUT, 1/4"-20
46	2	YNHX10005	HEX NUT, 5/16"
47	5	YNHX12005	HEX NUT, 3/8"-16
48	8	YNHX16005	HEX NUT, 1/2"
49	4	YNHX18005	HEX NUT, 9/16"-12

FIGURE 4
ENDGATE

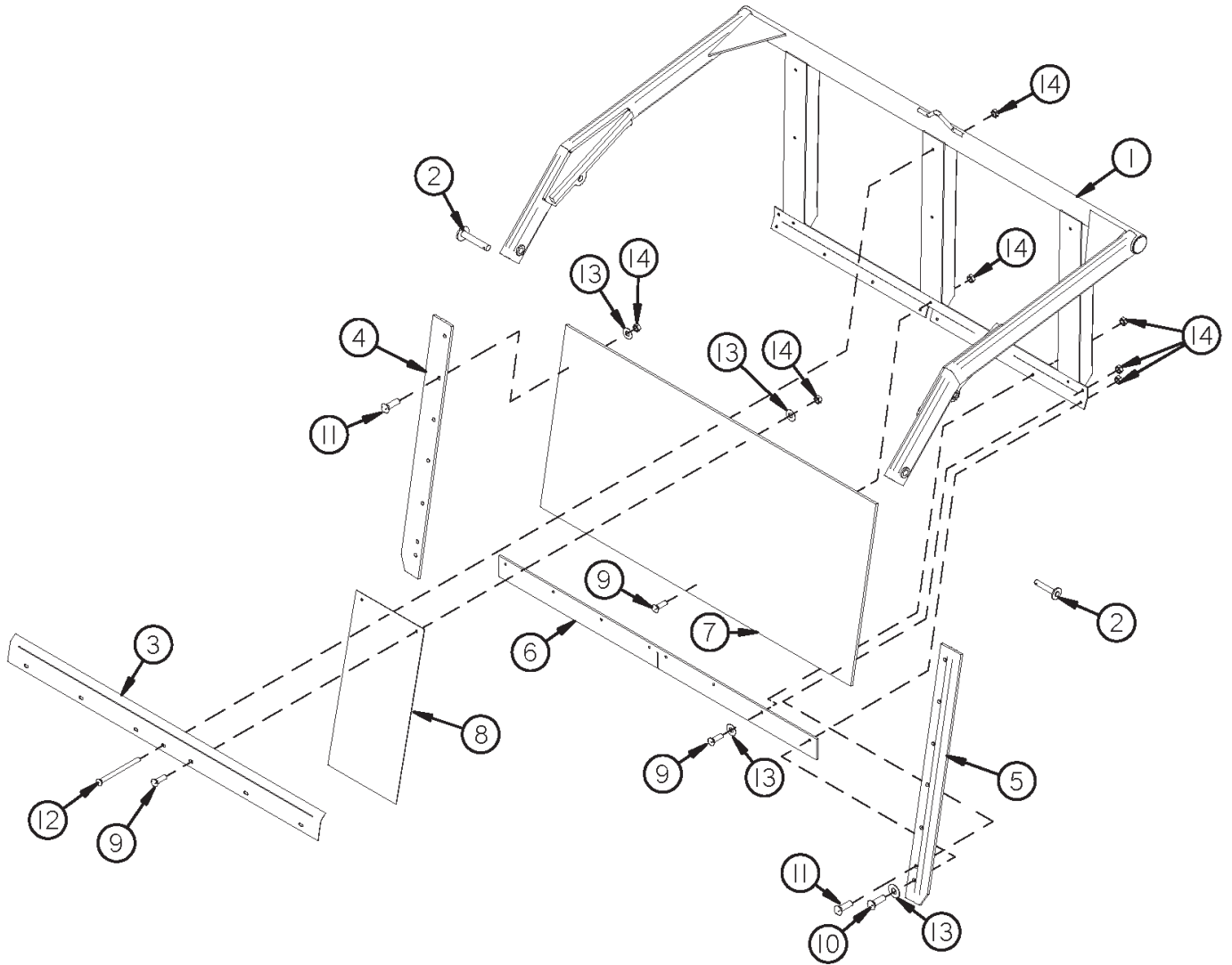


FIGURE 4

ENDGATE

<u>ITEM</u>	<u>QTY</u>	<u>PART #</u>	<u>DESCRIPTION</u>
1	1	42N28	ENDGATE
2	2	42N29	HINGE PIN
3	1	42N30	ENDGATE POLY HOLDOWN
4	1	42N31	ENDGATE RUBBER RIGHT
5	1	42N32	ENDGATE RUBBER LEFT
6	1	42N33	ENDGATE RUBBER
7	1	42N34	ENDGATE POLY
8	5	42N165	ENDGATE CURTAIN
9	13	YBCR12010	CARR. BOLT, 3/8 X 1 GR. 5
10	2	YBCR12015	CARR. BOLT, 3/8 X 1-1/2 GR 5
11	12	YBCR12030	CARR. BOLT, 3/8 X 1-3/4 GR 5
12	6	YBCR12105	CARR. BOLT, 3/8 X 4-1/2 GR G FULL THREAD
13	22	YWFL12005	WASHER, FLAT, 3/8 USS
14	33	YNHX12005	HEX NUT, 3/8-16 GR 2

FIGURE 5

BEATERS

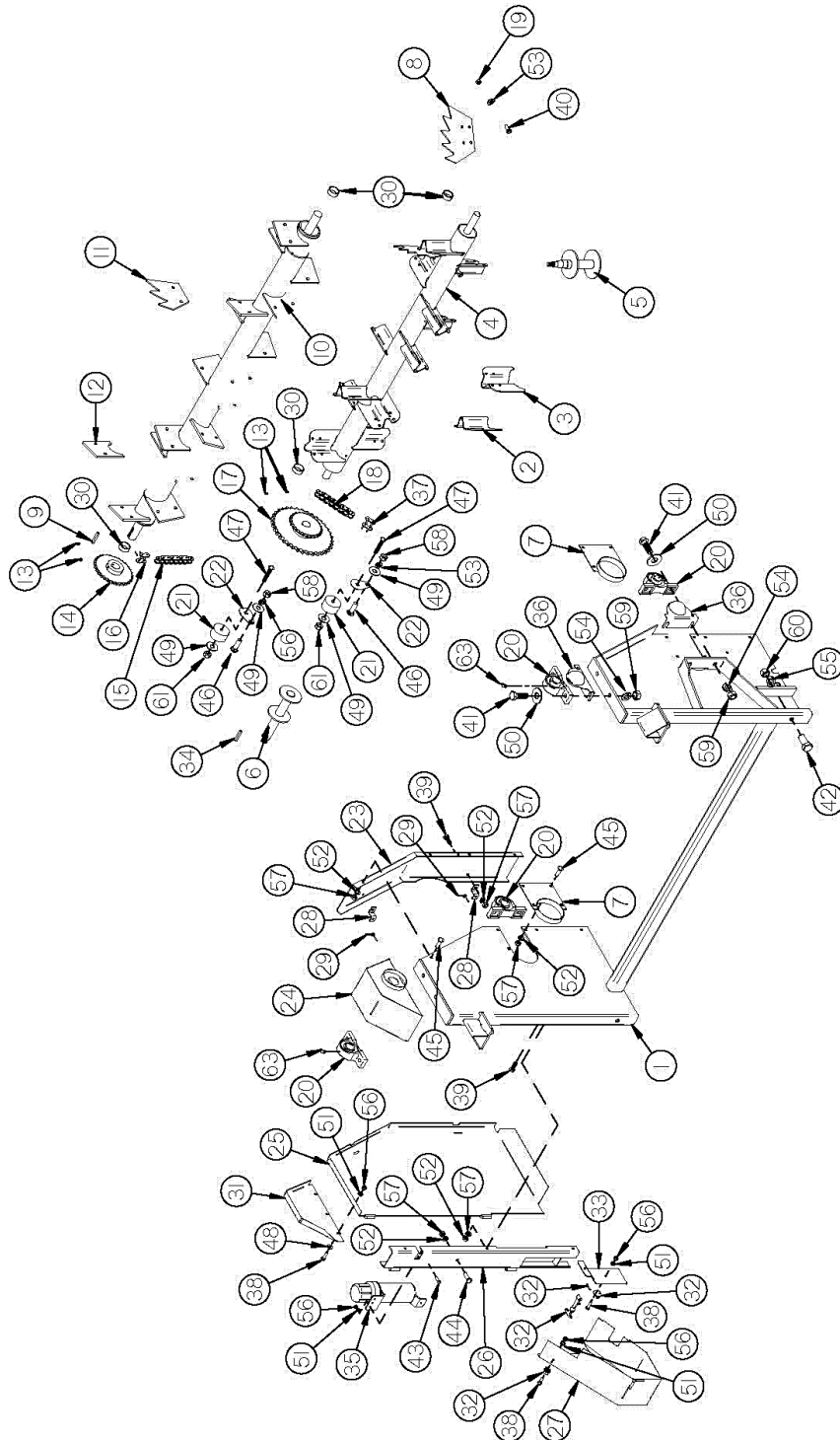


FIGURE 5

BEATERS

<u>ITEM</u>	<u>QTY</u>	<u>PART#</u>	<u>DESCRIPTION</u>
1	1	42N35	BEATER PANEL
2	6	42N36	BLADE HOLDER RH
3	6	42N37	BLADE HOLDER LH
4	1	42N38	BEATER
5	1	56N69	BEATER STUB SHAFT
6	1	42N39	BEATER DRIVE SHAFT
7	2	42N40	BEATER SLOT FILLER
8	12	23N277	BEATER BLADE
9	1	S437	3/8" X 1-3/8" SQUARE KEY
10	1	42N42	SECOND BEATER
11	16	45N27	BEATER BLADE 2ND
12	16	42N147	BEATER BLADE HOLDER
13	4	YSKP12025	SET SCREW, SOCKET, KNURLED CUP PT, 3/8-16 X 3/8
14	1	42N44	SECOND BEATER SPROCKET 30T
15	1	42N45	SECOND BEATER CHAIN
16	1	D39	#60 CONNECTOR LINK
17	1	42N46	BEATER SPROCKET 80-20-60-25
*	1	42N47	BEATER SPROCKET 80-36-60-25
*	1	74563	ROLLER, CHAIN, 80 X 88
18	1	16SV34	CHAIN, FINAL DRIVE, RH
19	80	YNTL16005	HEX NUT, TOP LOCK, 1/2-13
20	4	16SV72	PILLOW BLOCK BEARING W/ ZERK AT TOP
21	2	42N50	POLY CHAIN TIGHTENER
22	2	42N51	TIGHTENER STOP
23	1	42N52	MAIN PANEL RIGHT END
24	1	42N53	SECOND BEATER ANTI-WRAP
25	1	42N54	REAR SHIELD
26	1	42N55	SHIELD FILLER
27	1	42N56	CROSS SHAFT SHIELD

NOTE: * MEANS NOT SHOWN

FIGURE 5

BEATERS

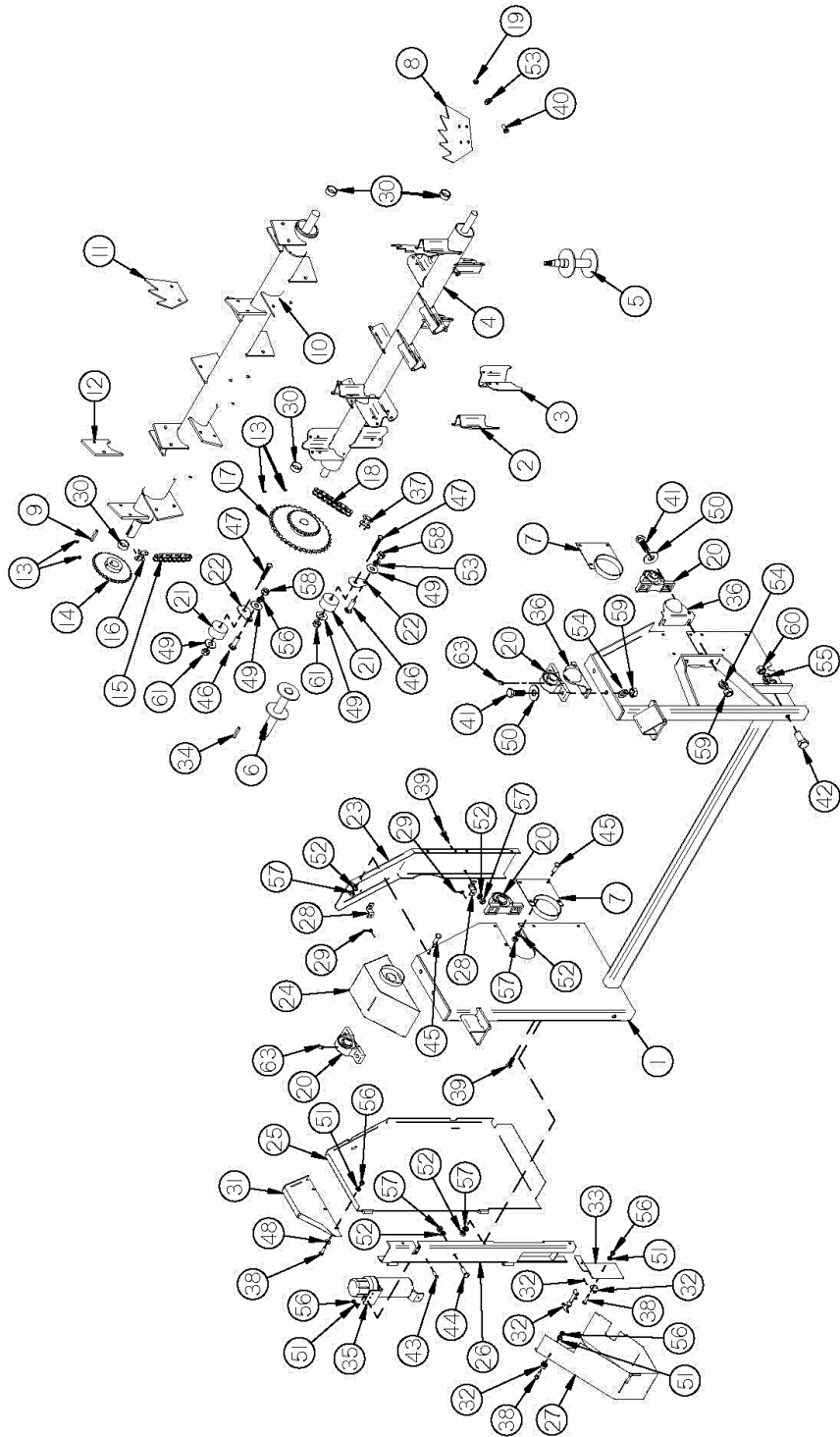


FIGURE 5

BEATERS

<u>ITEM</u>	<u>QTY</u>	<u>PART#</u>	<u>DESCRIPTION</u>
28	2	F69	SHIELD BRACKET
29	2	YPLY08011	LYNCH PIN, 1/4 X 1-9/16 #63-02
30	4	42N103	BEATER SPACER
31	1	42N104	SECOND BEATER SHIELD
32	1	X233	COMPLETE LATCH
33	1	42N105	BACK STAKE FILLER
34	1	42N141	KEY 3/8" x 2-1/4" W/ ROUND ENDS
35	1	S522	MANUAL HOLDER
36	2	42N142	STUB SHAFT SHIELD
37	1	F157	#80 CONNECTOR LINK
38	5	YBHH08010	BOLT, 1/4" X 1" GR. 5
39	5	YBHH12010	BOLT, 3/8" X 1" GR. 5
40	80	YBHH16045	BOLT, 1/2" X 1-1/4" GR. 5
41	8	YBHH18015	BOLT, HEX HEAD, 9/16"-12 X 2" GR. 5, ZINC
42	2	YBHH24010	BOLT, 3/4" X 1-1/2" GR. 5
43	3	YSTM08004	SLOTTED TRUSS HEAD ZINC MACHINE SCREW, 1/4"-20 x 3/4"
44	1	YBCR12065	CARR. BOLT, 3/8" X 3/4" GR. 5
45	11	YBCR12010	CARR. BOLT, 3/8" X 1" GR. 5
46	2	YBCR16015	CARR. BOLT, 1/2" X 1-1/4" GR. 5
47	2	YBCR16035	CARR. BOLT, 1/2" X 2-3/4" GR. 5
48	3	YWFL08005	WASHER, FLAT, 1/4" USS
49	4	YWFL16005	WASHER, FLAT, 1/2" USS
50	8	YWFL18005	WASHER, FLAT, 9/16" USS
51	8	YWLO08005	WASHER, LOCK, 1/4"
52	17	YWLO12005	WASHER, LOCK, 3/8"
53	82	YWLO16005	WASHER, LOCK, 1/2"
54	8	YWLO18005	WASHER, LOCK, 9/16"
55	2	YWLO24005	WASHER, LOCK, 3/4"
56	8	YNHX08005	HEX NUT, 1/4"-20
57	17	YNHX12005	HEX NUT, 3/8"-16
58	2	YNHX16005	HEX NUT, 1/2"
59	8	YNHX18005	HEX NUT, 9/16"-12
60	2	YNHX24005	HEX NUT, 3/4"-10 PLATED
61	2	YNRL16005	HEX NUT, REVERSIBLE-SIDE LOCK, 1/2"-13

NOTE: * MEANS NOT SHOWN

FIGURE 6

PUSHER

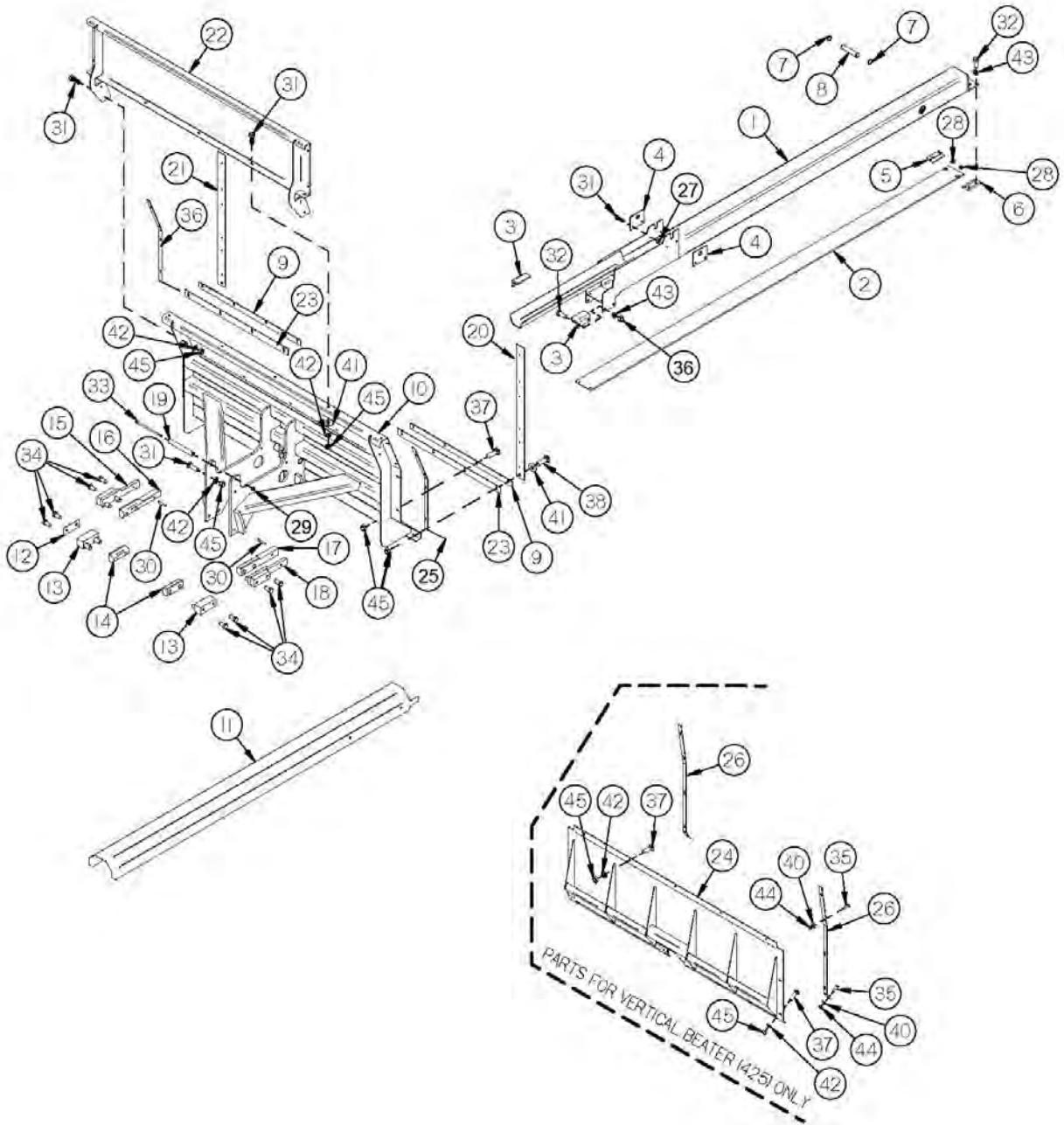


FIGURE 6

PUSHER

<u>ITEM</u>	<u>QTY</u>	<u>PART #</u>	<u>DESCRIPTION</u>
1	1	42N74	MOVEABLE FLOOR TUBE
2	1	42N149	PUSHER TUBING SLIDE
3	2	42N76	PUSHER TUBE FRONT GUIDE
4	2	42N77	CYLINDER RETAINER
5	1	42N78	END CAP CLAMP RIGHT
6	1	42N49	END CAP CLAMP LEFT
7	2	3G21	SNAP RING 1"
8	1	42N80	REAR CYLINDER PIN
9	2	42N81	PUSHER WIPER
10	1	42N83	PUSHER
11	1	42N84	CYLINDER SHIELD
12	A/R	42N114	PUSHER SHIM (AR)
13	2	42N85	POLY BLOCK SPACER
14	2	42N86	PUSHER POLY SLIDE
15	1	42N87	POLY BLOCK SPACER RIGHT
16	1	42N88	PUSHER POLY SLIDE RIGHT
17	1	42N89	PUSHER POLY SLIDE LEFT
18	1	42N90	POLY BLOCK SPACER LEFT
19	1	42N91	PUSHER SPACER

NOTE: * MEANS NOT SHOWN

A/R MEANS AS REQUIRED

FIGURE 6

PUSHER

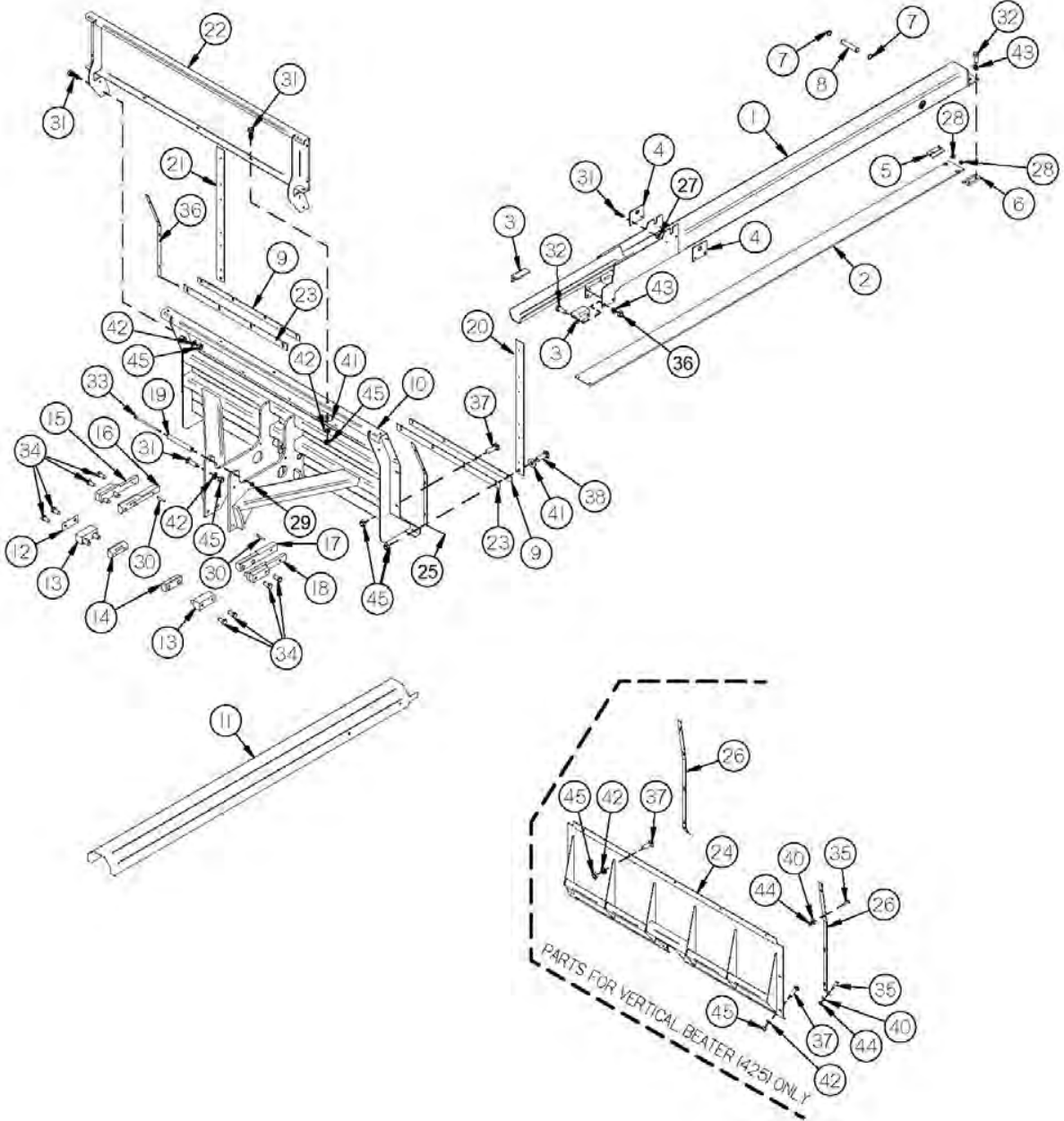


FIGURE 6

PUSHER

<u>ITEM</u>	<u>QTY</u>	<u>PART#</u>	<u>DESCRIPTION</u>
20	1	42N92	PUSHER RUBBER LEFT
21	1	42N63	HOSE, HYD, 3/8" X 82"
22	1	42N94	PUSHER EXTENSION
23	2	42N139	PUSHER BOTTOM RUBBER
24	1	HGV115	FLAT PUSHER FACE
25	2	42N82	PUSHER RUBBER STRAP
26	2	HGV116	FLAT PUSHER SEAL STRAP
27	4	YNRL12005	HEX NUT, REVERSIBLE-SIDE LOCK, 3/8"-16
28	2	42N150	POLY SPACER
*	1	42N151	SCRAPER
29	1	YNRL12005	HEX NUT, REVERSIBLE-SIDE LOCK, 3/8"-16
30	2	YPEX12020	EXPANSION PIN, 3/8" X 2"
31	17	YBHH12010	BOLT, 3/8 X 1 GR 5
32	8	YBHH16045	BOLT, 1/2-13 X 1-1/4 GR 5
33	1	YBHH16185	BOLT, 1/2 X 9 GR 5
34	8	YBHH20015	BOLT, 5/8 X 1-1/4 GR 5
35	6	YBCR08005	CARR. BOLT, 1/4-20 X 1 GR. 5 (ZINC)
36	4	YNHX16005	HEX NUT, 1/2
37	19	YBCR12010	CARR. BOLT, 3/8 X 1 GR. 5
38	2	YBCR12015	CARR. BOLT, 3/8 X 1-1/2 GR 5
39	4	YSHW10010	THREAD CUTTING SCREW
40	6	YWFL08005	WASHER, FLAT, 1/4 USS
41	7	YWFL12005	WASHER, FLAT, 3/8 USS
42	26	YWLO12005	WASHER, LOCK, 3/8
43	8	YWLO16005	WASHER, LOCK, 1/2
44	6	YNHX08005	HEX NUT, 1/4
45	34	YNHX12005	HEX NUT, 3/8-16 GR 2

NOTE: * MEANS NOT SHOWN

FIGURE 7
PUSHER & ENDGATE HYD. COMPONENTS

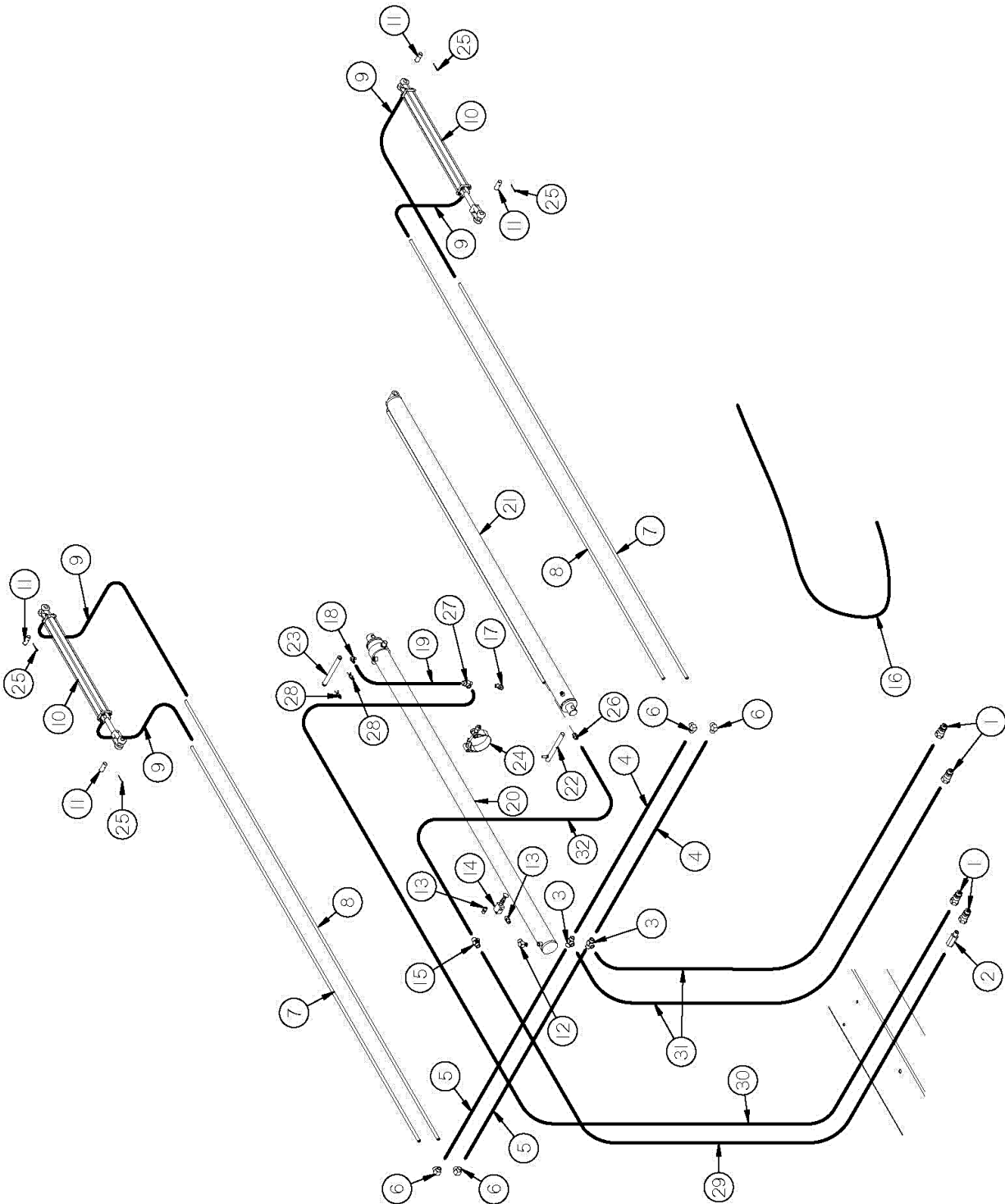


FIGURE 7
PUSHER & ENDGATE HYD. COMPONENTS

<u>ITEM</u>	<u>QTY</u>	<u>PART #</u>	<u>DESCRIPTION</u>
1	4	DWM205	MALE QUICK COUPLER
2	1	57735	.078 RESTRICTOR CHECK VALVE
3	2	BFR74	5605-6-6-6 TEE
4	2	46N40	HOSE, HYD, 3/8" X 46"
5	2	BFR287	HOSE, HYD, 3/8" X 36"
6	4	HE59	90 DEGREE FEMALE ELBOW
7	2	42N59	ENDGATE HYD. LINE SHORT
8	2	42N60	ENDGATE HYD. LINE LONG
9	4	12V19	HYDRAULIC HOSE 3/8" X 24"
10	2	56002	2" X 20" HYDRAULIC CYLINDER
11	4	56N141	CYLINDER PIN
12	1	23N234	ELBOW, STREET, 3/8", 90 DEGREE # 5502-6-6
13	1	16SV351	3/8" NIPPLE #5404-6-6
14	1	16SV339	SEQUENCE ASSEMBLED VALVE AND BODY
15	1	WM146	MALE BRANCH TEE, 3/8"
16	1	42N64	HOSE SHIELD
17	1	42N67	3/8" UNION ADAPTER 45 DEG.
18	1	DWM110	ADAPTER, 3/8" MALE TO 3/8" FEMALE, 90 DEG. SWIVEL
19	1	42N68	HOSE, HYD, 3/8" X 20-1/2"

FIGURE 7

PUSHER & ENDGATE HYD. COMPONENTS

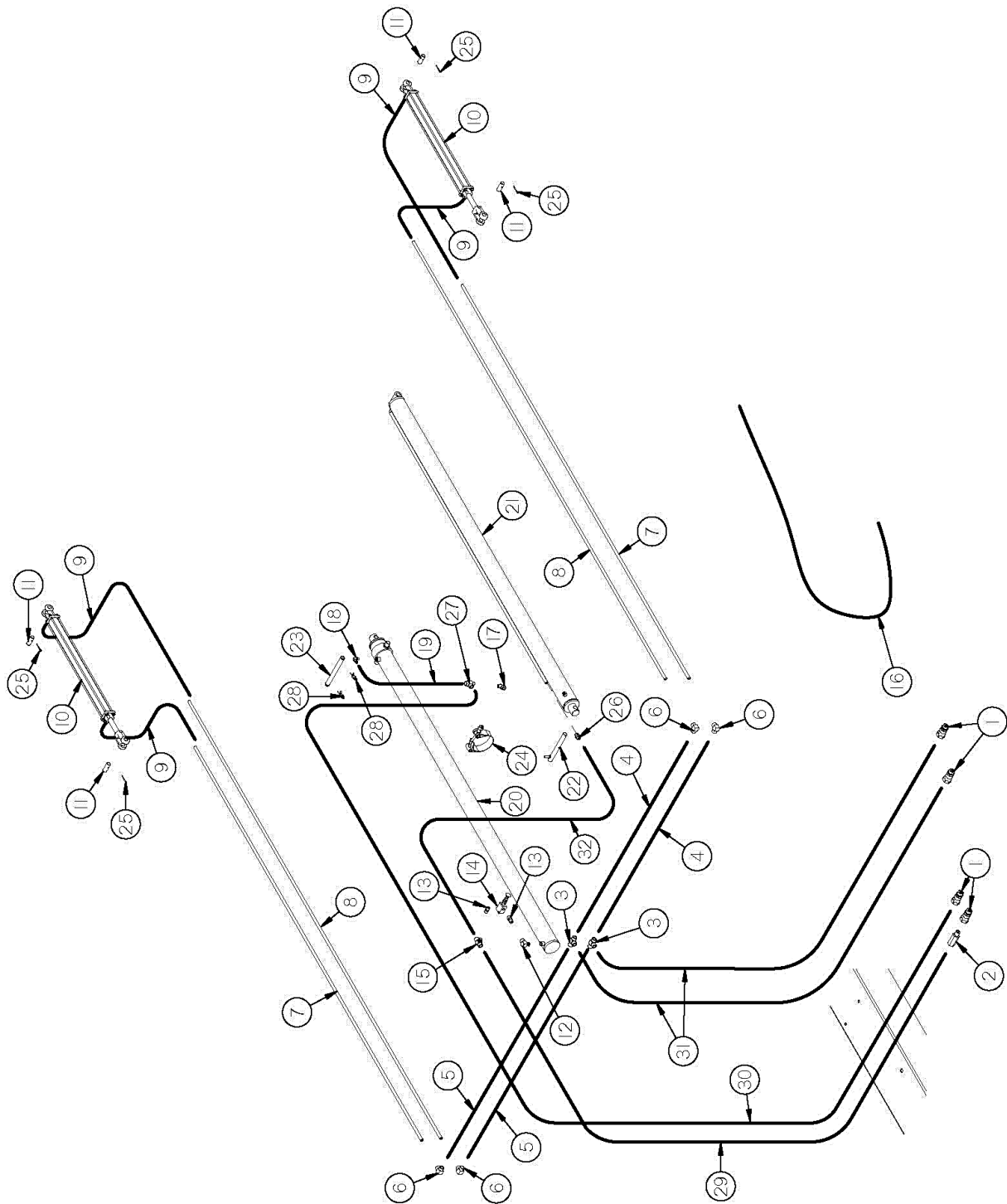


FIGURE 7

PUSHER & ENDGATE HYD. COMPONENTS

<u>ITEM</u>	<u>QTY</u>	<u>PART #</u>	<u>DESCRIPTION</u>
20	1	42N69	HYD CYL 3-1/2" X 90" GIMBAL F498CY07
21	1	42N70	HYD. CYL. 3-1/2" X 90" TRUNION F498CY06
22	1	42N71	CYLINDER PIN
23	1	42N72	PUSHER CYLINDER PIN
24	1	12V70	HYD. CYL. 3-1/2" X 90" TRUNION F498CY06
25	4	YPCT07005	COTTER PIN, 7/32 X 2
26	1	DWM233	3/8" MALE ADAPTER
27	1	23N116	SERVICE TEE 5602-6-6-6
28	2	T144	CLIP PIN / CLEVIS PIN
29	1	HGV168	3/8" HYD HOSE ASSEMBLY 3/8" X 186"
30	1	HGV169	HYD HOSE ASSEMBLY 3/8" X 260"
31	2	HGV167	HYD HOSE ASSY. 3/8' X 157" 101HY-8-6 X 101HY-6-6
32	1	42N66	HOSE, HYD, 3/8" X 76"

FIGURE 8

ENDGATE CYLINDER

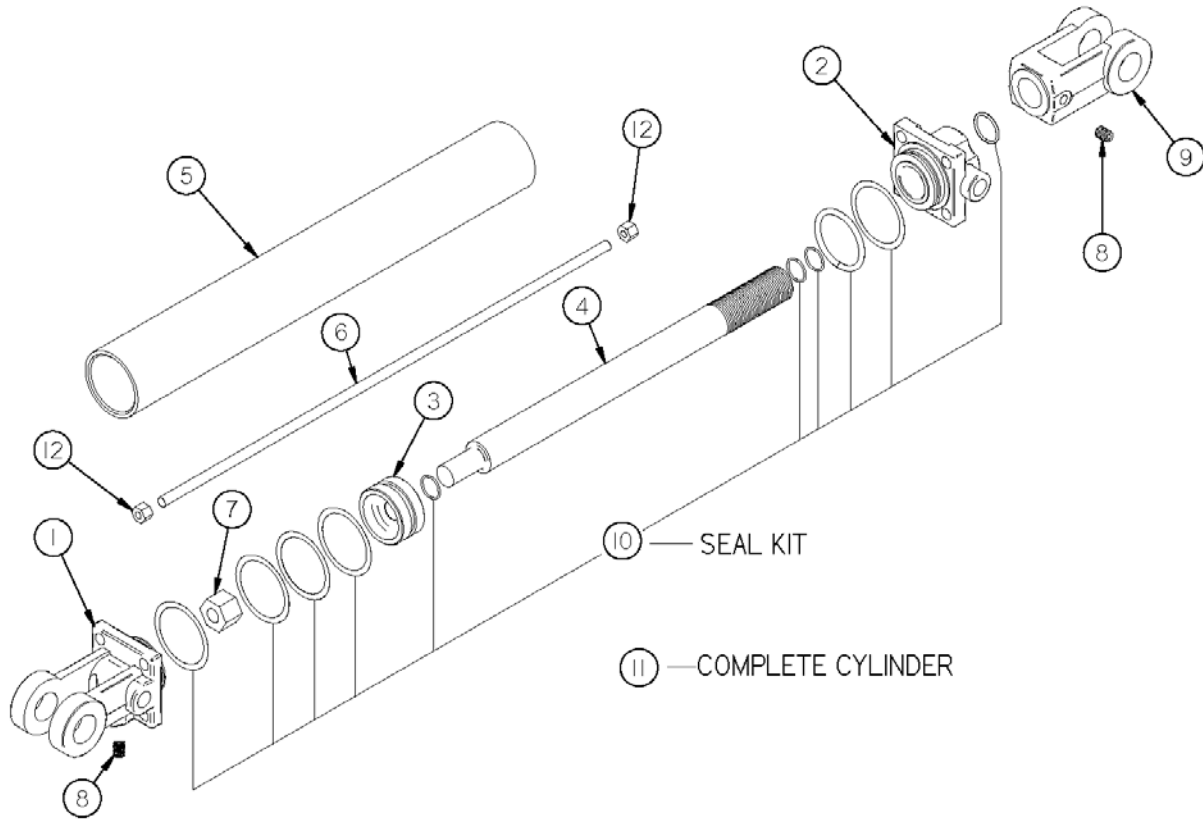


FIGURE 8
ENDGATE CYLINDER

<u>ITEM</u>	<u>QTY</u>	<u>PART#</u>	<u>DESCRIPTION</u>
1	1	23N142A	CLEVIS CAP
2	1	56174	ROD CAP
3	1	56180	PISTON
4	1	45N42	ROD
5	1	45N43	CYLINDER TUBE
6	4	45N44	TIE ROD
7	1	23N148	PISTON NUT
8	2	23N149	PLUG
9	1	23N150A	ROD CLEVIS
10	1	56187	SEAL KIT
11	1	56002	HYDRAULIC CYLINDER
12	8	YNHX12005	HEX NUT, 3/8"-16

FIGURE 9
HYDRAULIC PUSHER CYLINDER

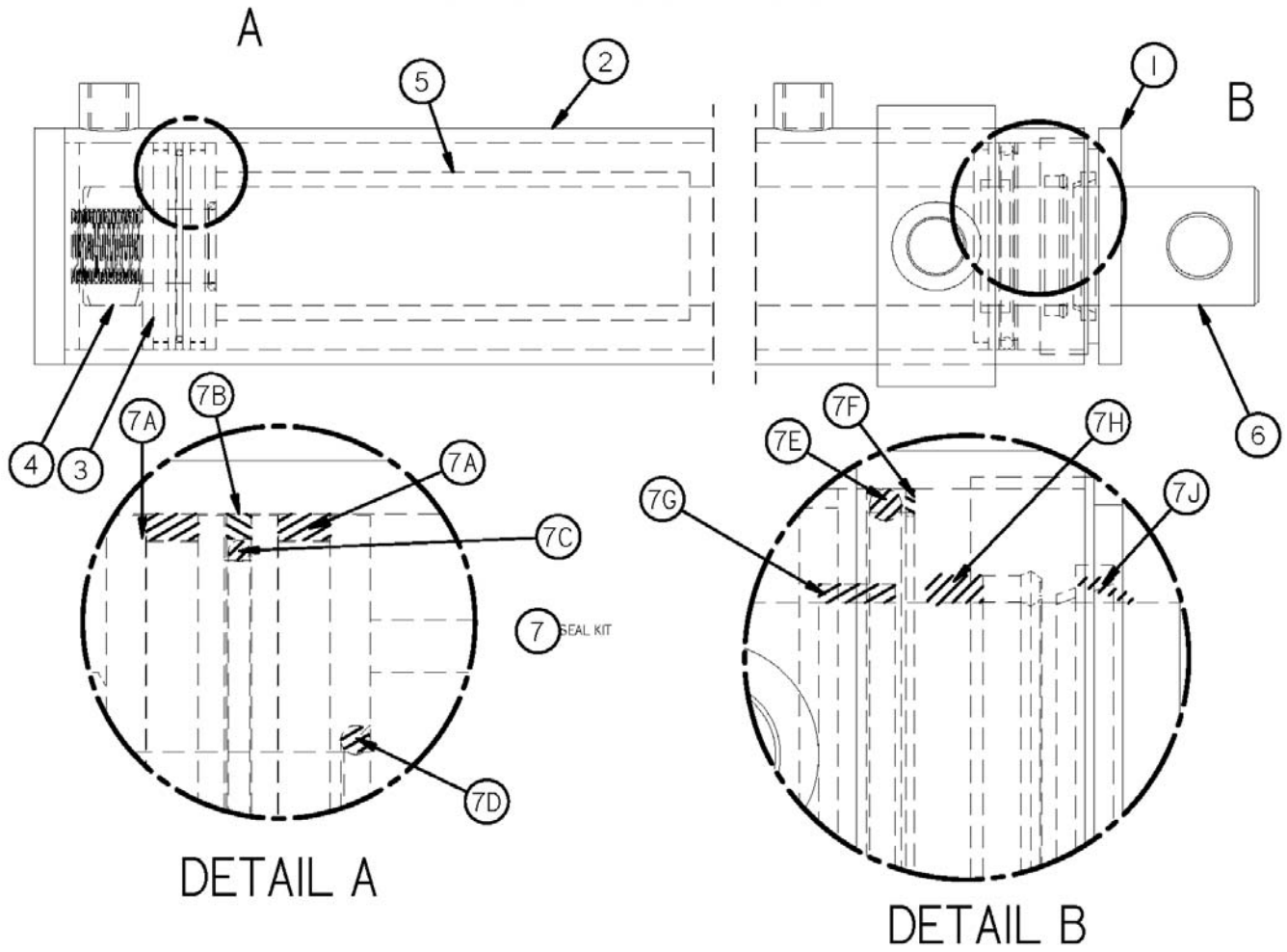


FIGURE 9

HYDRAULIC PUSHER CYLINDER

<u>ITEM</u>	<u>QTY</u>	<u>PART #</u>	<u>DESCRIPTION</u>
1	1	42N106	INTERNAL HEAD
2	1	42N107	BARREL ASSM (TOP CYL)
*	1	42N108	BARREL ASSM (BOTTOM CYL)
3	1	42N109	PISTON
4	1	42N110	LOCKNUT
5	1	42N111	SPACER
6	1	42N112	ROD
7	1	42N113	SEAL KIT (INC ITEMS 7A THRU 7J)
7A	2	"	WEAR RING
7B	1	"	P
7C	1	"	O-RING
7D	1	"	O-RING
7E	1	"	O-RING
7F	1	"	BACK-UP RING
7G	1	"	WEAR RING
7H	1	"	LOADED U-CUP
7J	1	"	ROD WIPER
*	1	42N69	COMP. CYL. - TOP
*	1	42N70	COMP. CYL. - BOTTOM

NOTE: * MEANS NOT SHOWN

FIGURE 10
BEATER GEARBOX

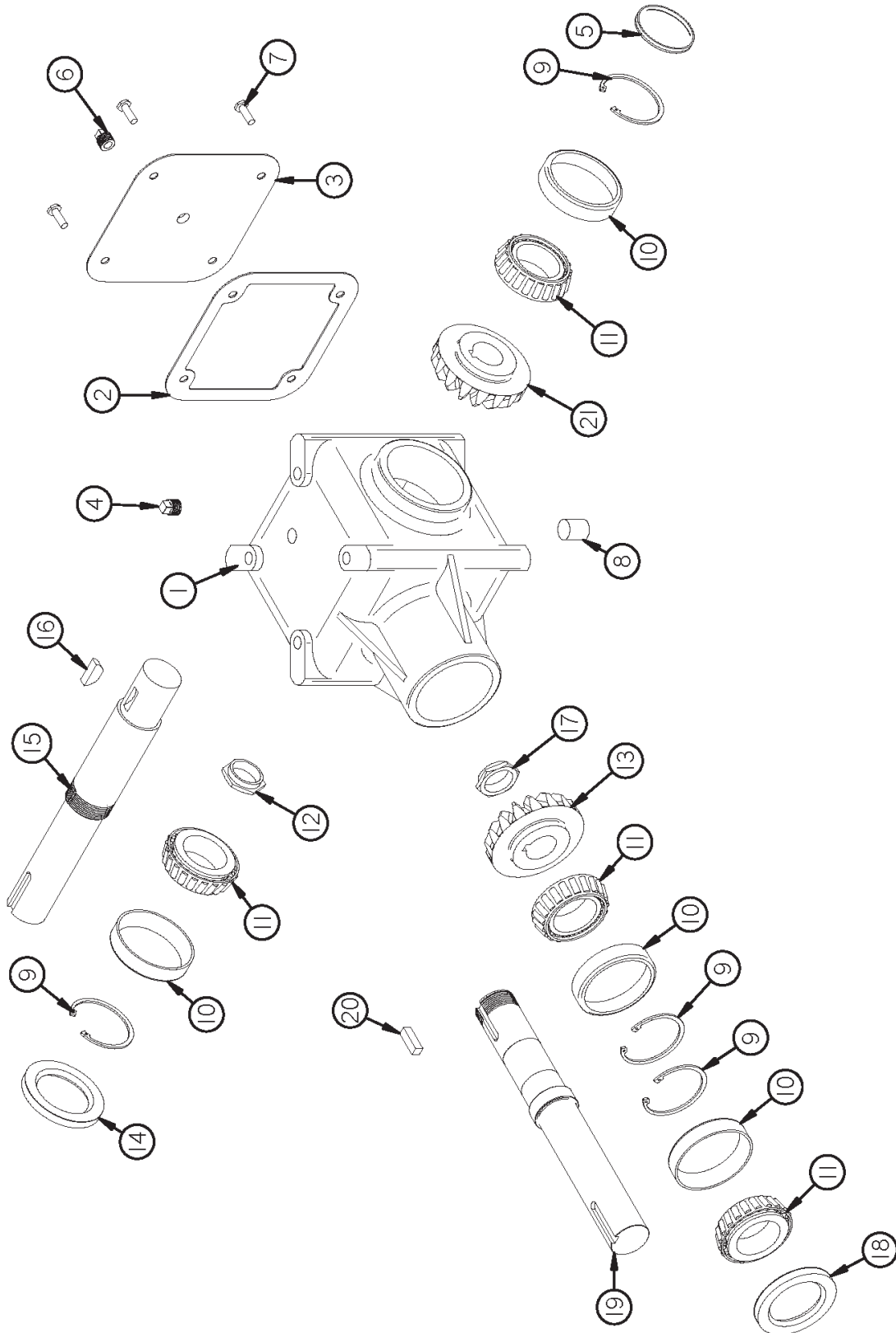


FIGURE 10
BEATER GEARBOX

<u>ITEM</u>	<u>QTY</u>	<u>PART #</u>	<u>DESCRIPTION</u>
1	1	G125	HOUSING
2	1	G138	GASKET
3	1	G126	COVER
4	1	G144	PLUG 3/8" - VENT
5	1	G140	CAP
6	1	G65	PLUG 3/8" - NPT
7	4	YBHH10132	BOLT, 5/16" X 5/8"
8	1	G145	3/8" PLUG
9	4	G130	SNAP RING
10	4	G128	BEARING CUP #25520
11	4	G129	BEARING #25581
12	1	G132	STAKE NUT
13	1	G142	BEVEL GEAR 22 TEETH
14	1	G136	SEAL - OUTPUT
15	1	42N57	OUTPUT SHAFT
16	1	G61	"E" 1210 WOODRUFF KEY
17	1	G133	STAKE NUT
18	1	G137	SEAL - INPUT
19	1	42N58	INPUT SHAFT
20	1	G139	KEY 3/8" x 1-1/2" HARDENED
21	1	G127	BEVEL GEAR 33 TOOTH
*	1	42N26	COMPLETE GEARBOX

NOTE: * MEANS NOT SHOWN

FIGURE 11
VERTICAL BEATERS FRAME ASSEMBLY

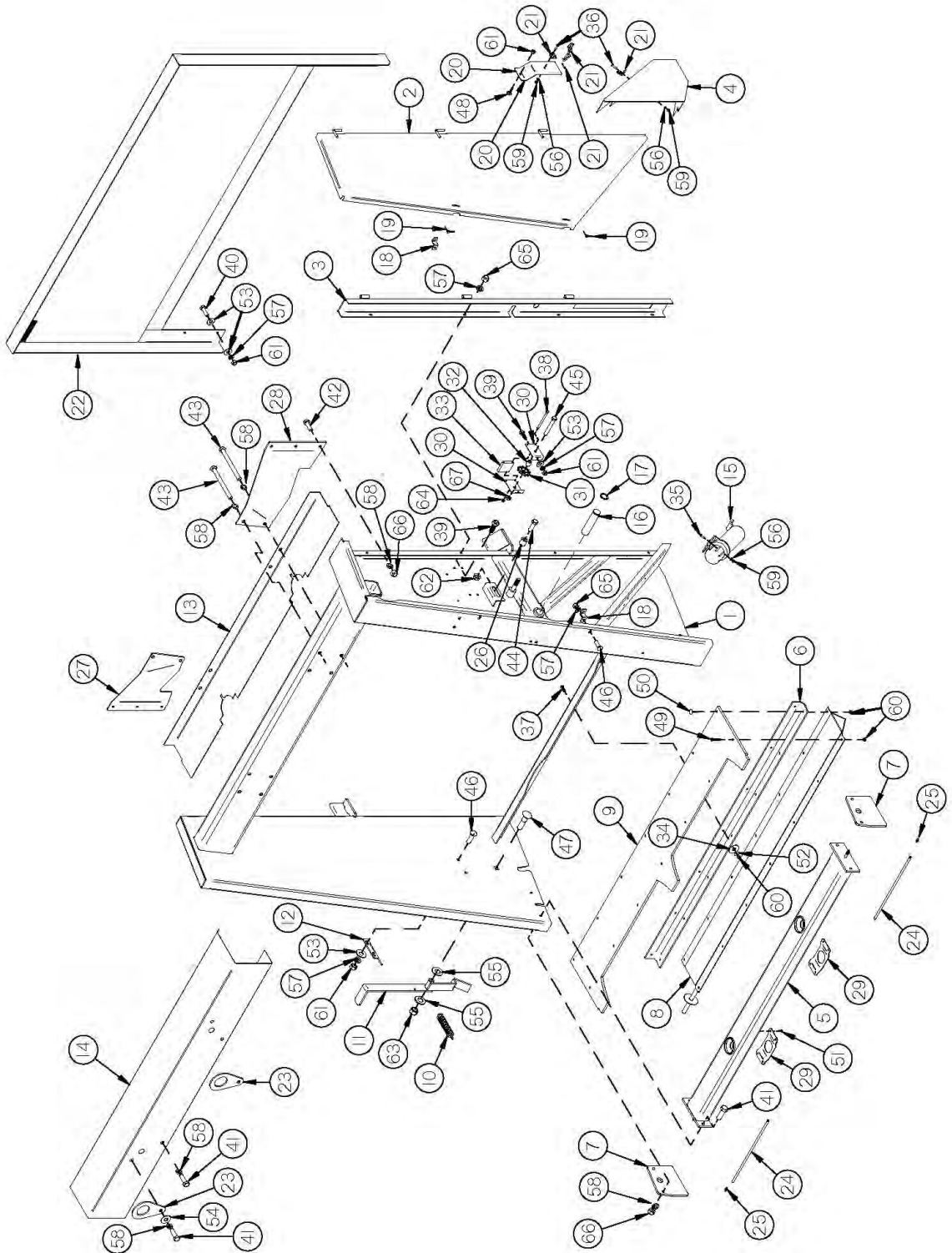


FIGURE 11

VERTICAL BEATERS FRAME ASSEMBLY

<u>ITEM</u>	<u>QTY</u>	<u>PART #</u>	<u>DESCRIPTION</u>
1	1	HGV54	FRAME
2	1	HGV3	REAR SHIELD
3	1	HGV5	SHIELD FILLER
4	1	HGV7	CROSS SHAFT SHIELD
5	1	HGV8	BEATER BOTTOM MOUNT
6	1	HGV9	PAN HINGE
7	2	HGV10	LEG
8	1	HGV11	PAN BOTTOM
9	1	HGV12	PAN
10	1	K103	SPRING
11	1	HGV13	PAN HANDLE
12	1	HGV14	PAN HANDLE STOP
13	1	HGV56	GEARBOX BOTTOM SHIELD SUPERIOR
14	1	HGV57	GEARBOX TOP SHIELD SUPERIOR
15	1	S522	MANUAL HOLDER
16	1	HGV18	SPROCKET IDLER SHAFT
17	1	12V62	SNAP RING
18	2	F69	SHIELD BRACKET
19	2	YPLY08011	LYNCH PIN, 1/4 X 1-9/16 #63-02
20	1	42N105	BACK STAKE FILLER
21	1	X233	COMPLETE LATCH
22	1	HGV49	STONE GUARD
23	2	HGV50	LIFTING EYE
24	2	HGV51	GREASE LINE
25	2	56694	GREASE FITTING
26	1	16SV44	TIGHTENER SPACER
27	1	HGV134	MAIN PANEL BRACE LEFT
28	1	HGV133	MAIN PANEL BRACE RIGHT
29	2	26VB56	HUB CAP RETAINER
30	2	HGV100	IDLER BRACKET
31	1	16SV328	SPROCKET 80-C-12 W/BEARING
32	1	HGV111	SPROCKET SPACER
33	1	HGV109	CHAIN POLY BLOCK
*	1	HGV117	COMPLETE IDLER ASSEMBLY
34	7	YWCU12005	WASHER, CUSTOM, FLAT, .435" ID. X 1-7/8" OD. X .125 THICK
35	3	YBHH08100	BOLT, 1/4" X 3/4" GR. 5

NOTE: * MEANS NOT SHOWN

FIGURE 11
VERTICAL BEATERS FRAME ASSEMBLY

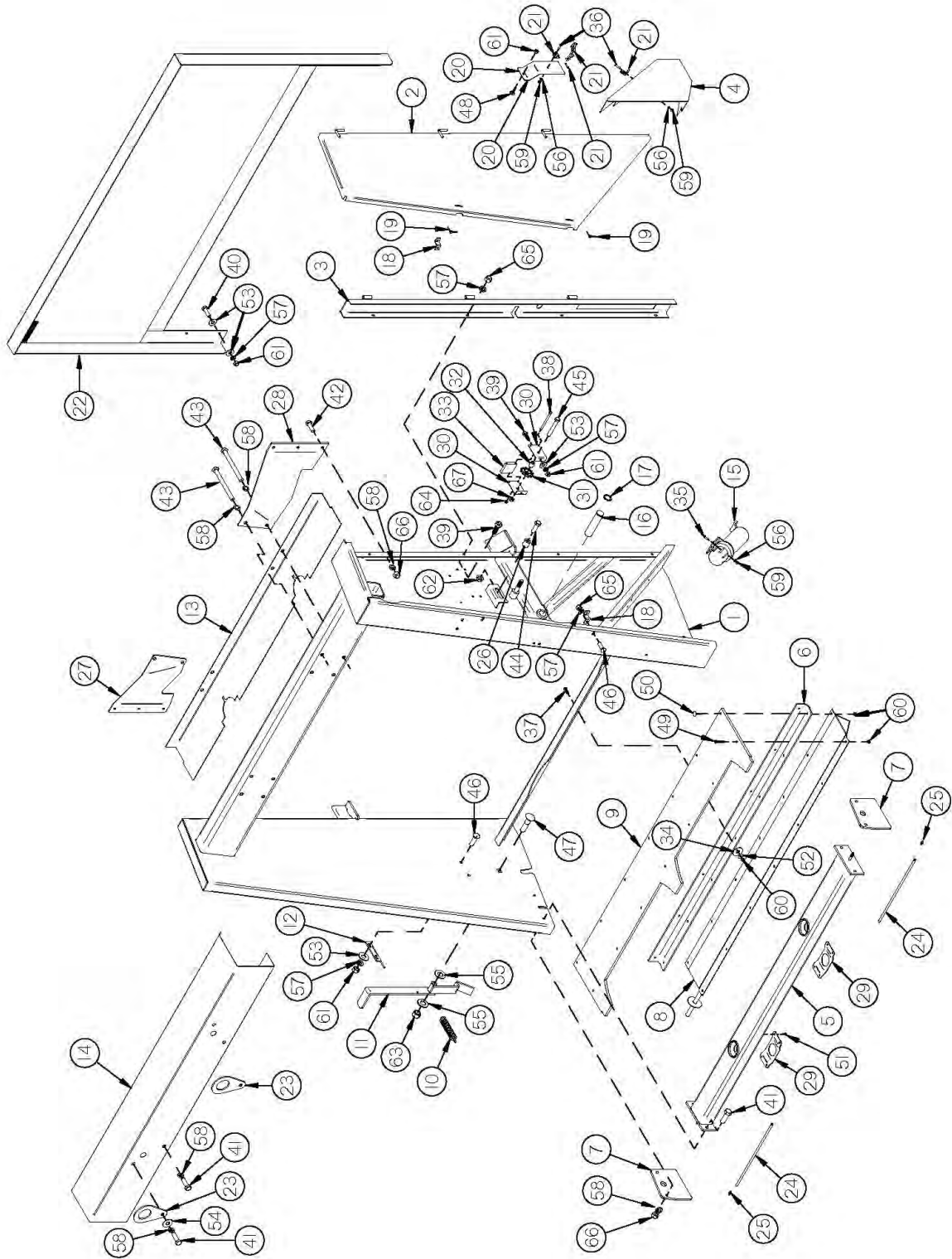


FIGURE 11

VERTICAL BEATERS FRAME ASSEMBLY

<u>ITEM</u>	<u>QTY</u>	<u>PART #</u>	<u>DESCRIPTION</u>
36	2	YBHH08010	BOLT, 1/4" X 1" GR. 5
37	7	YBHH10010	BOLT, 5/16" X 1" GR. 5
38	2	YBHH10125	BOLT, 5/16" X 4-1/2" GR. 5
39	6	YBHH12010	BOLT, 3/8" X 1" GR. 5
40	4	YBHH12035	BOLT, 3/8" X 1-1/4" GR. 5
41	8	YBHH16030	BOLT, 1/2" X 1-1/2" GR. 5
42	6	YBHH16047	BOLT, 1/2" X 1-1/4" GR. 5 (3/4" MAX THREAD)
43	8	YBHH16160	BOLT, 1/2" X 5-1/2" GR. 5
44	1	YBHH24035	BOLT, 3/4" X 2-1/4" GR. 5
45	1	YBHH24080	BOLT, 3/4" X 5" GR. 5
46	4	YBCR12010	CARR. BOLT, 3/8" X 1" GR. 5
47	1	YBCR24005	CARR. BOLT, 3/4" X 3-1/2" GR. 5
48	1	YBPL12010	#3 FLAT HEAD PLOW BOLT, 3/8"-16 X 1-1/4" GR. 5, ZINC
49	7	YSFS10005	FLAT HEAD SOCKET CAP SCREW, 5/16" X 1"
50	7	YBSB10005	STEP BOLT, 5/16"-18 X 1-1/2"
51	8	YSDR08005	SELF DRILLING SCREW, 1/4"-14 X 1"
52	7	YWFL10005	WASHER, FLAT, 5/16" USS
53	12	YWFL12005	WASHER, FLAT, 3/8" USS
54	2	YWFL16005	WASHER, FLAT, 1/2" USS
55	2	16SV49	WASHER
56	5	YWLO08005	WASHER, LOCK, 1/4"
57	14	YWLO12005	WASHER, LOCK, 3/8"
58	22	YWLO16005	WASHER, LOCK, 1/2"
59	5	YNHX08005	HEX NUT, 1/4"-20
60	21	YNHX10005	HEX NUT, 5/16"
61	9	YNHX12005	HEX NUT, 3/8"-16
62	1	YNFG24005	HEX NUT, FLANGED-LOCK, 3/4"-10
63	1	YNRL24005	HEX NUT, REVERSIBLE-SIDE LOCK, 3/4"-10
64	2	YNTL10005	HEX NUT, TOP LOCK, 5/16"-18
65	7	YNTL12005	HEX NUT, TOP LOCK, 3/8"-16
66	10	YNTL16005	HEX NUT, TOP LOCK, 1/2"-13
67	1	YNTL24005	HEX NUT, TOP LOCK, 3/4"-10

FIGURE 12

VERTICAL BEATERS DRIVE TRAIN



FIGURE 12

VERTICAL BEATERS DRIVE TRAIN

<u>ITEM</u>	<u>QTY</u>	<u>PART #</u>	<u>DESCRIPTION</u>
1	1	HGV118	BEATER LEFT HAND
2	1	HGV120	BEATER RIGHT HAND
3	21	HGV122	BEATER BLADE LEFT
4	21	HGV123	BEATER BLADE RIGHT
5	2	HGV27	SEAL
6	2	B5	BEARING CONE
7	2	B5A	BEARING CUP
8	2	3G18	BEARING CUP
9	2	3G7	BEARING CONE
10	2	17G144	HUB CAP
11	21	56174	3/8" X 2" SQUARE KEY W/ ROUND ENDS (HARD)
12	1	HGV58	GEARBOX LEFT SUPERIOR
13	2	26VB37	GEARBOX CONNECTOR
14	6	42N25	SPROCKET 50-B-20 1-3/4 BORE
15	3	HGV124	CONNECTOR CHAIN #50 X 20 PITCHES
*	3	D118	CONNECTOR LINK #50
16	1	HGV59	GEARBOX CROSS SHAFT SUPERIOR
17	1	HGV60	GEARBOX RIGHT SUPERIOR
18	1	HGV61	GEARBOX DRIVE SHAFT SUPERIOR
19	1	HGV41	BEARING
20	1	HGV25	SPROCKET 80-B-20 1-3/4 BORE
21	1	HGV126	80H X 98 PITCHS ROLLER CHAIN
*	1	F157	CONNECTOR LINK #80
*	A/R	HGV163	80H HALF LINK CHAIN
22	2	12V52	BEARING
23	2	12N77	IDLER SPROCKET W/BEARING (80-A-12)
24	1	HGV36	BEATER TIGHTENER
25	2	42N164	BEARING
*	2	16SV375	SHIM .130
26	1	HGV38	SPROCKET (80-A-20 TO 80-A-20) 540 RPM
*	1	HGV37	SPROCKET (80-A-36 & 80-A-20) 1000 RPM
*	1	74573	ROLLER, CHAIN, 80 X 117
27	1	HGV128	80H X 109 PITCH ASSEMBLED 540 RPM
*	1	HGV127	80H CHAIN X 117 PITCH ASSEMBLED 1000 RPM

NOTE: * MEANS NOT SHOWN

A/R: AS REQUIRED

FIGURE 12

VERTICAL BEATERS DRIVE TRAIN



FIGURE 12

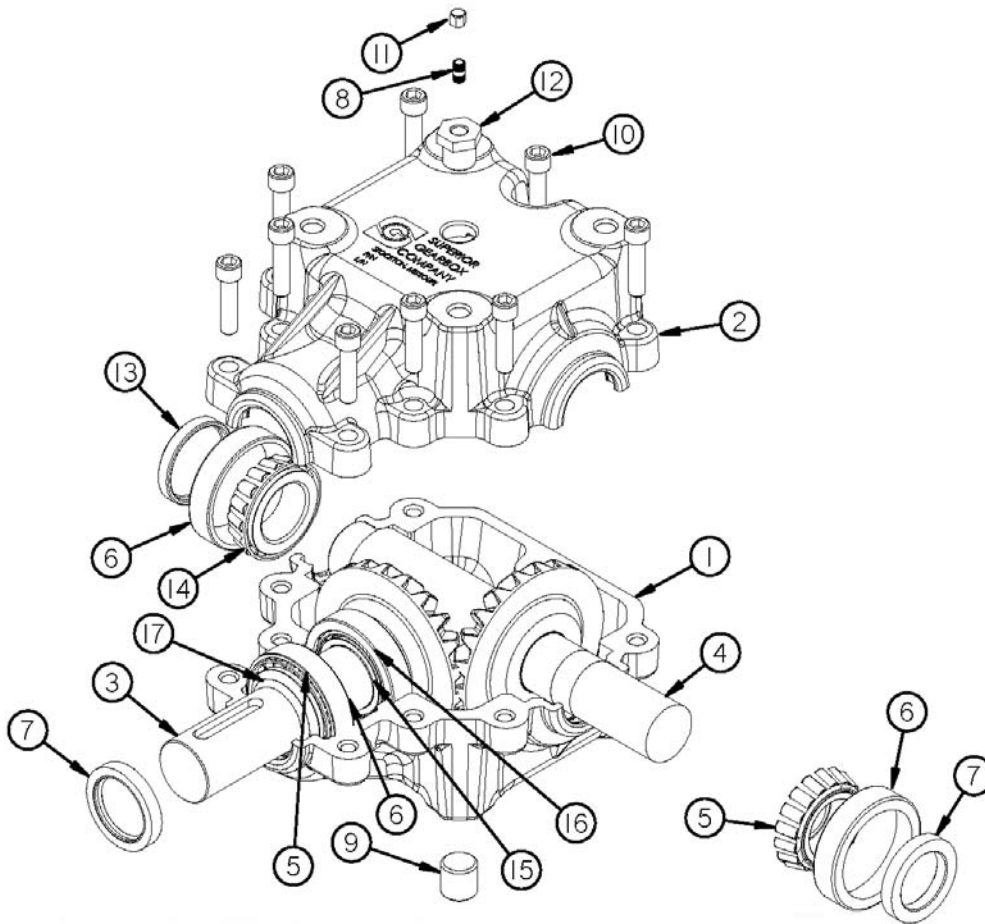
VERTICAL BEATERS DRIVE TRAIN

<u>ITEM</u>	<u>QTY</u>	<u>PART #</u>	<u>DESCRIPTION</u>
*	1	F157	CONNECTOR LINK #80H
28	1	10R14	SPRING
29	1	HGV30	SPACER
30	1	HGV43	PRIMARY TIGHTENER SPACER
31	1	HGV42	TIGHTENER
32	2	56N160	SPRING HOLDER
33	1	ST36	SPRING
34	8	26VB57	FAN BLADE
35	2	HGV129	BEATER RUBBER SEAL
36	2	HGV130	BEATER SEAL CAP
37	2	HGV102	BEATER STUB SHAFT
38	7	PB136	KEY 3/8" X 2" SQUARE W/ ROUND ENDS
39	2	YPCT05020	COTTER PIN, 5/32" X 1-1/2"
40	16	YSKP12025	SET SCREW, SOCKET, KNURLED CUP PT, 3/8"- 16 X 3/8"
41	12	YBHH08100	BOLT, 1/4" X 3/4" GR. 5
42	3	YBHH18010	BOLT, HEX HEAD, 9/16" X 1-3/4" GR. 5,
43	1	YBHH18115	BOLT, HEX HEAD, 9/16"-12 X 2-1/2" GR. 5, ZINC
44	84	YBHH20020	BOLT, 5/8" X 1-3/4" GR. 5
45	2	YBHH24050	BOLT, 3/4" X 3" GR. 5
46	16	YBCR16010	CARR. BOLT, 1/2" X 1-1/2" GR. 5
47	2	YBTE10030	TURNUED EYE BOLT, 5/16" X 3"
48	2	YWFL12005	WASHER, FLAT, 3/8" USS
49	1	YWFL24005	WASHER, FLAT, 3/4" USS
50	2	YWFL24010	WASHER, FLAT, SAE 3/4"
51	12	YWLO08005	WASHER, LOCK, 1/4"
52	2	YWLO12005	WASHER, LOCK, 3/8"
53	16	YWLO16005	WASHER, LOCK, 1/2"
54	5	YWLO18005	WASHER, LOCK, 9/16"
55	84	YWLO20005	WASHER, LOCK, 5/8"
56	2	YNHX12005	HEX NUT, 3/8"-16
57	5	YNHX18005	HEX NUT, 9/16"-12
58	2	YNRL24005	HEX NUT, REVERSIBLE-SIDE LOCK, 3/4"-10
59	2	YNTL12005	HEX NUT, TOP LOCK, 3/8"-16
60	16	YNTL16005	HEX NUT, TOP LOCK, 1/2"-13
61	84	YNTL20005	HEX NUT, TOP LOCK, 5/8"-11
62	1	YNTL24005	HEX NUT, TOP LOCK, 3/4"-10
63	2	YNSL24010	HEX NUT, SLOTTED, 3/4"-16

NOTE: * MEANS NOT SHOWN

FIGURE 13

SUPERIOR GEARBOX LEFT

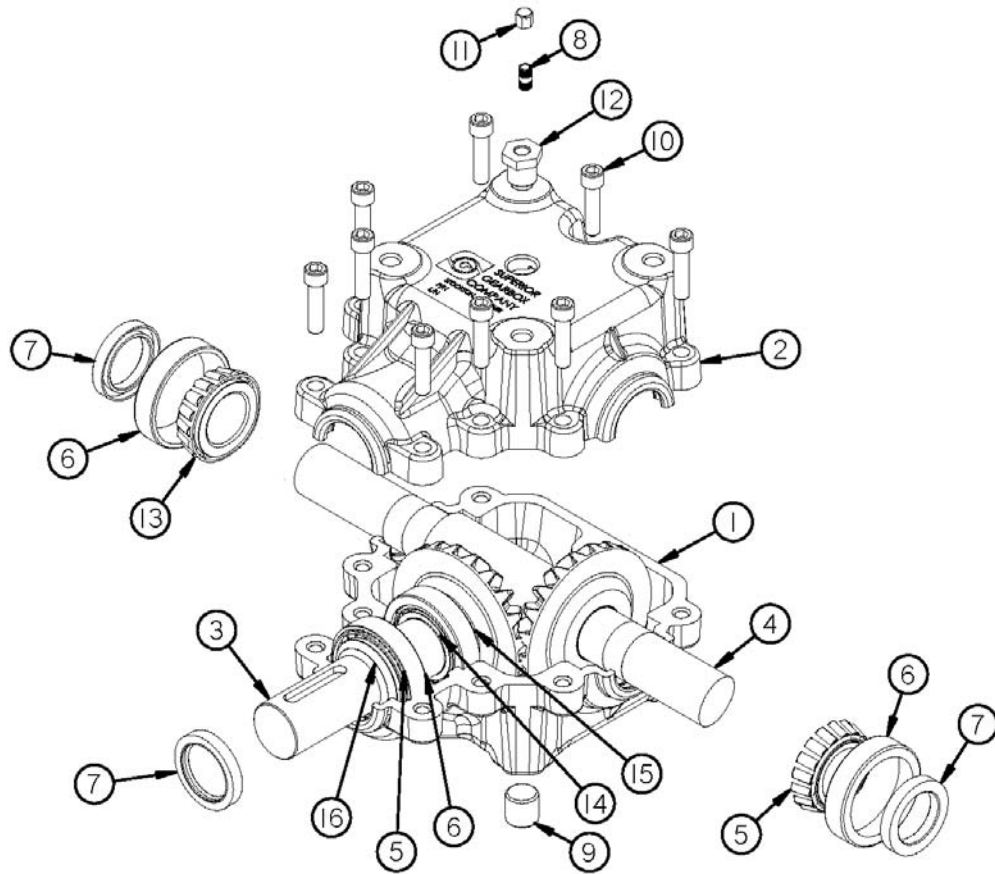


<u>ITEM</u>	<u>QTY</u>	<u>PART #</u>	<u>DESCRIPTION</u>
1	1	HGV88	BOTTOM HOUSING
2	1	HGV89	TOP HOUSING
3	1	HGV90	OUTPUT SHAFT
4	1	HGV105	INPUT SHAFT
5	2	HGV91	BEARING CONE (625581)
6	3	HGV92	BEARING CUP (625520)
7	2	HGV93	SEAL (617285)
8	1	23N288	3/8 NIPPLE
9	1	HGV95	PLUG (1/2-14 NPT)
10	9	YSHS12012	SOCKET HEAD CAP SCREW, 3/8" -16 X 2-1/4"
11	1	17G58	VENT
12	1	JB82	BUSHING (1/2 NPT To 3/8NPT)
13	1	HGV99	CAP
14	1	HGV94	BEARING CONE (625580)
15	1	HGV97	BEARING CONE (603782)
16	1	HGV112	BEARING CUP (603720)
17	1	HGV98	RETAINING PING (603493)
*	1	HGV58	COMPLETE GEARBOX LEFT

NOTE: * MEANS NOT SHOWN

FIGURE 14

SUPERIOR GEARBOX RIGHT



<u>ITEM</u>	<u>QTY</u>	<u>PART #</u>	<u>DESCRIPTION</u>
1	1	HGV88	BOTTOM HOUSING
2	1	HGV89	TOP HOUSING
3	1	HGV90	OUTPUT SHAFT
4	1	HGV101	INPUT SHAFT
5	2	HGV91	BEARING CONE (625581
6	3	HGV92	BEARING CUP (625520)
7	3	HGV93	SEAL (617285)
8	1	23N288	3/8" NIPPLE
9	1	HGV95	Plug 1/2-14 NPT)
10	9	YSHS12012	SOCKET HEAD CAP SCREW, 3/8" -16 X 2-1/4"
11	1	17G58	VENT
12	1	JB82	BUSHING (1/2 NPT To 3/8 NPT)
13	1	HGV94	BEARING CONE (625580)
14	1	HGV97	BEARING CONE (603782)
15	1	HGV112	BEARING CUP (603720)
16	1	HGV98	RETAINING RING (603493)
*	1	HGV60	COMPLETE GEARBOX RIGHT

NOTE: * MEANS NOT SHOWN

FIGURE 15 **CHAIN OILER**

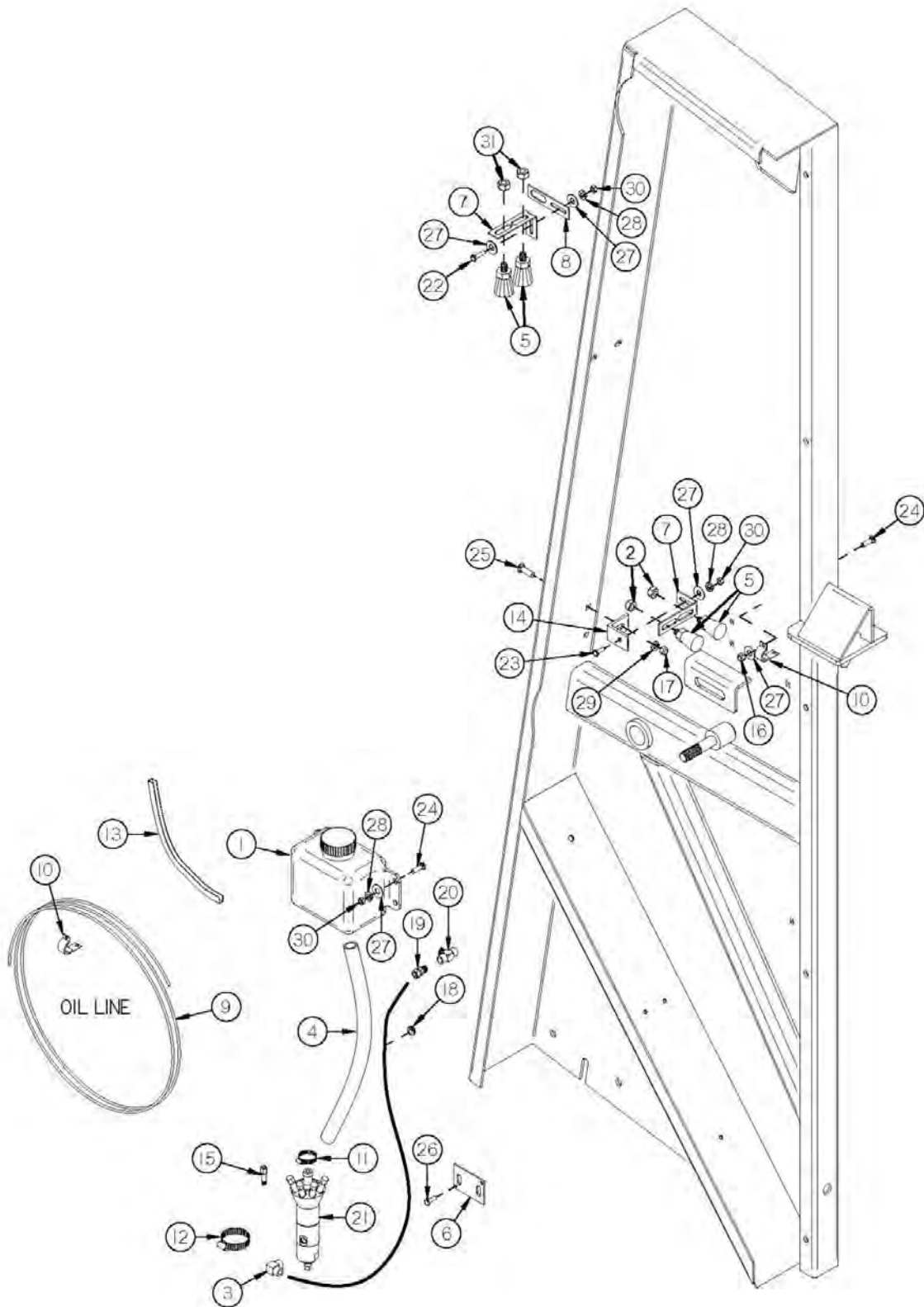


FIGURE 15

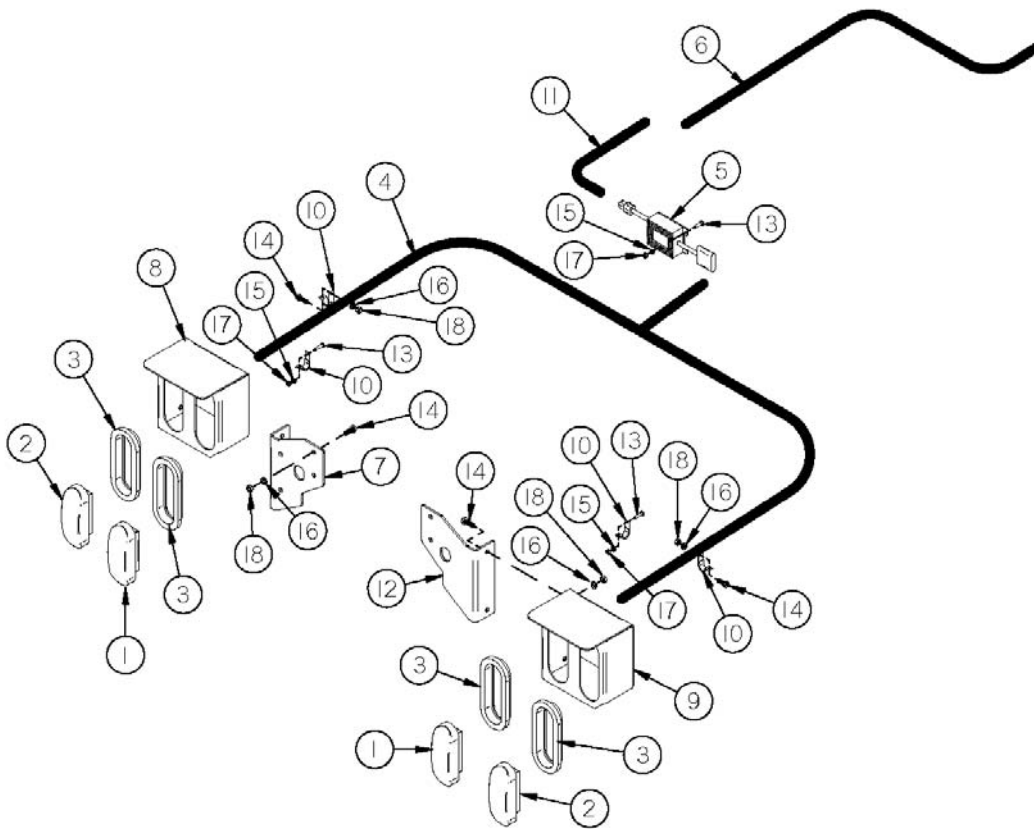
CHAIN OILER

<u>ITEM</u>	<u>QTY</u>	<u>PART #</u>	<u>DESCRIPTION</u>
1	1	HGV63	RESERVOIR
2	2	YNHX16005	HEX NUT, 1/2"
*	1	GM501	1/4" X 29-3/4" HYDRAULIC HOSE
3	1	HGV65	O-RING/JIC ELBOW
4	4	HGV66	FILLER HOSE
5	4	HGV67	BRUSH
6	1	HGV135	OILER MOUNT
7	2	HGV69	BRUSH BRACKET
8	1	HGV70	BRACKET MOUNT
9	1	HGV71	OILER TUBE 5/32 OD
10	5	HGV72	SMALL TUBE HOLDER
11	2	HGV75	1" HOSE CLAMP
12	1	HGV74	2" HOSE CLAMP
13	1	HGV77	EDGING 12"
14	1	HGV170	ANGLE
15	4	HGV84	170-4515 MANIFOLD ASSEMBLY
16	3	YNTL08005	HEX NUT, TOP LOCK, 1/4"-20
17	1	YNTL12005	HEX NUT, TOP LOCK, 3/8"-16
*	1	8613	OILER KIT (COMPLETE)
18	1	8651	RUBBER GROMMET
19	1	BFR120	3/8" UNION ADAPTER (1404-6-6)
20	1	WM146	MALE - FEMALE PIPE TEE (5604-6-6)
21	1	HGV82	PUMP (COMPLETE)
*	1	HGV83	REPAIR KIT
22	11	YBHH08010	BOLT, 1/4" X 1" GR. 5
23	1	YBHH08100	BOLT, 1/4" X 3/4" GR. 5
24	7	YBCR08040	CARR. BOLT, 1/4" X 3/4" GR. 5
25	1	YBCR12010	CARR. BOLT, 3/8" X 1" GR. 5
26	2	YSDR08015	1/4"-20 X 1/2" HEX WASHER HEAD SLOT THRD ROLL SCREW, ZINC
27	11	YWFL08005	WASHER, FLAT, 1/4" USS
28	6	YWLO08005	WASHER, LOCK, 1/4"
29	1	YWLO12005	WASHER, LOCK, 3/8"
30	6	YNHX08005	HEX NUT, 1/4"-20

NOTE: * MEANS NOT SHOWN

FIGURE 16

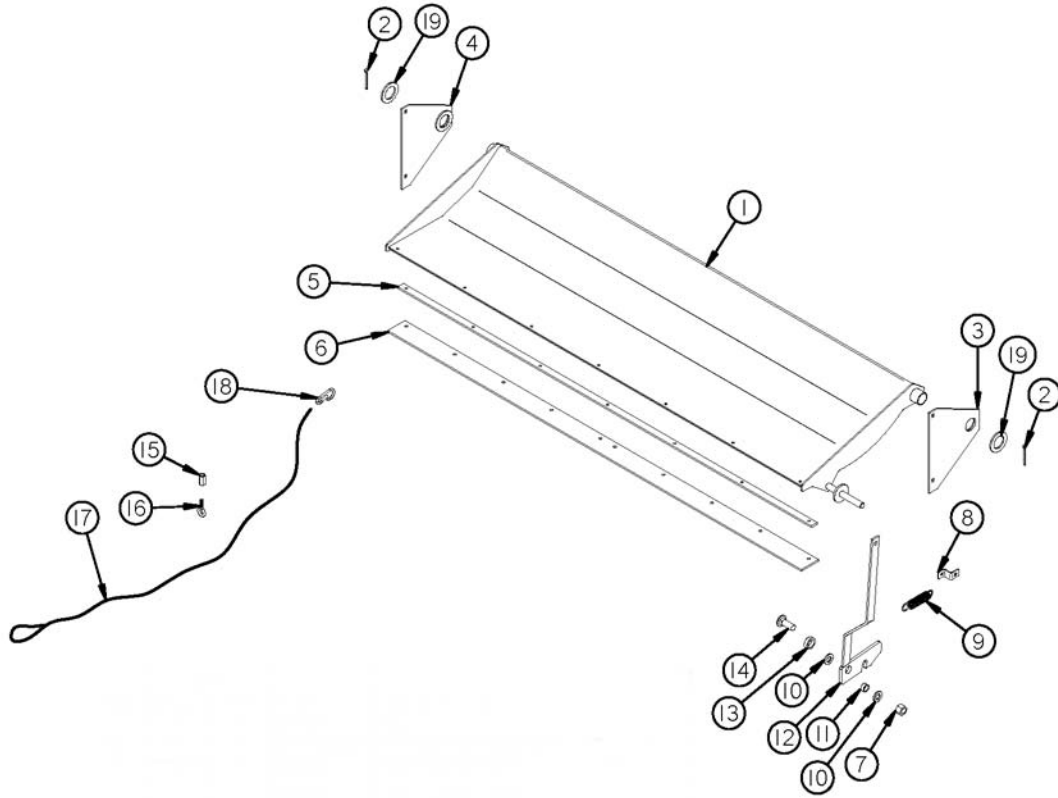
LIGHTING



<u>ITEM</u>	<u>QTY</u>	<u>PART #</u>	<u>DESCRIPTION</u>
1	2	S310	RED TAIL LIGHT
2	2	S309	YELLOW HAZARD LIGHT
3	4	S308	RUBBER LIGHT MOUNT
4	1	56N155	HARNESS, TAIL LIGHT
5	1	69908	MODULE, CONTROL, BLINKER
6	1	1140	FLASHER MODULE LOOM
7	1	HGV137	LIGHT BRACKET MOUNT LEFT
8	1	55N61	LIGHT BRACKET LEFT
9	1	55N62	LIGHT BRACKET RIGHT
10	14	55N64	METAL CUSHIONED CABLE CLAMPS
11	1	BFR666	EXT. LIGHT HARNESS
12	1	HGV136	LIGHT BRACKET MOUNT RIGHT
13	5	YBHH08010	BOLT, 1/4" X 1" GR. 5
14	10	YBHH12010	BOLT, 3/8" X 1" GR. 5
15	5	YWLO08005	WASHER, LOCK, 1/4"
16	10	YWLO12005	WASHER, LOCK, 3/8"
17	5	YNHX08005	HEX NUT, 1/4"-20
18	10	YNHX12005	HEX NUT, 3/8"-16

FIGURE 17

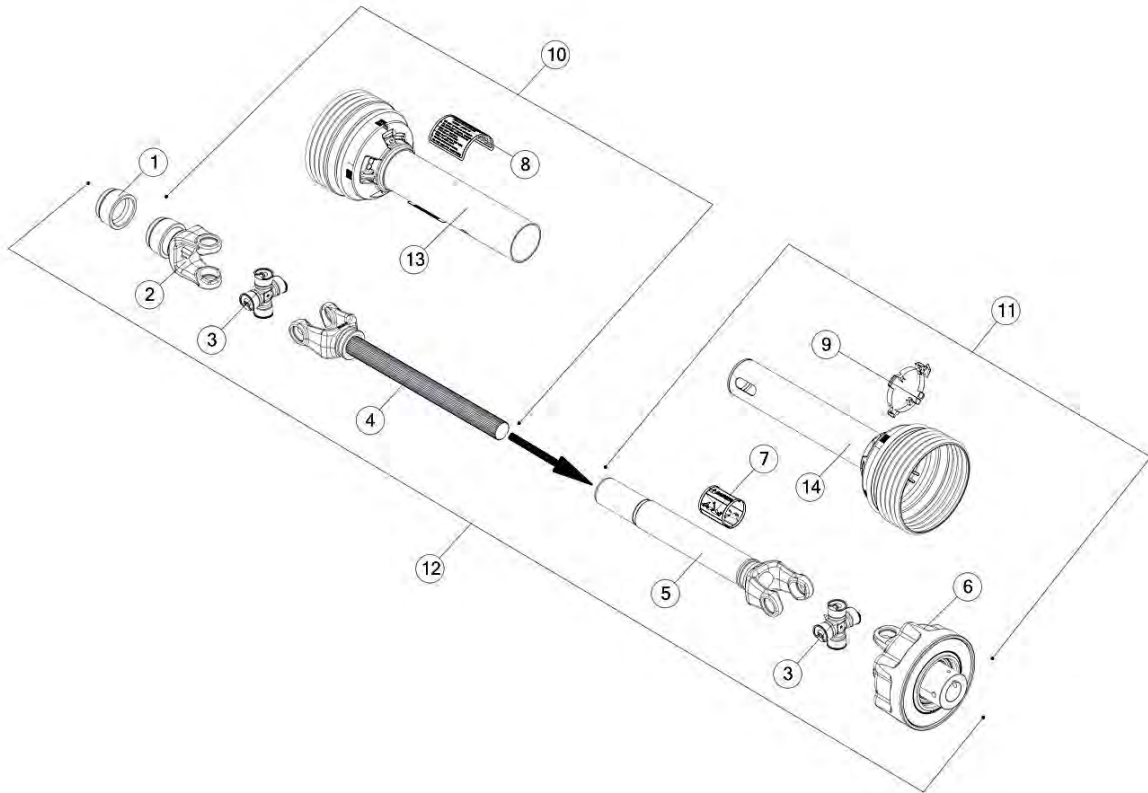
OPTIONAL REAR PAN



<u>ITEM</u>	<u>QTY</u>	<u>PART #</u>	<u>DESCRIPTION</u>
1	1	42N127	PAN
2	2	YPCT06020	COTTER PIN, 3/16" X 2"
3	1	42N128	PAN PLATE LEFT
4	1	42N129	PAN PLATE RIGHT
5	1	42N130	PAN STRAP
6	1	42N131	RUBBER
7	1	YNTL24005	HEX NUT, TOP LOCK, 3/4"-10
8	1	F69	BRACKET
9	1	ST36	SPRING
10	2	T73	WASHER
11	1	42N132	LATCH BUSHING
12	1	42N133	LATCH
13	1	42N134	LATCH SPACER
14	1	YBCR24003	CARR. BOLT, 3/4" X 2-1/2" GR. 5
15	1	YNCO12005	HEX NUT, COUPLING, 3/8"-16 X 1-1/8"
16	1	YBTE12005	TURNTD EYE BOLT, 3/8" X 1"
17	1	42N136	ROPE (18')
18	1	YMSN10005	MISC, SNAP HOOK, 5/16
19	2	56N170	PAN WASHER

FIGURE 18

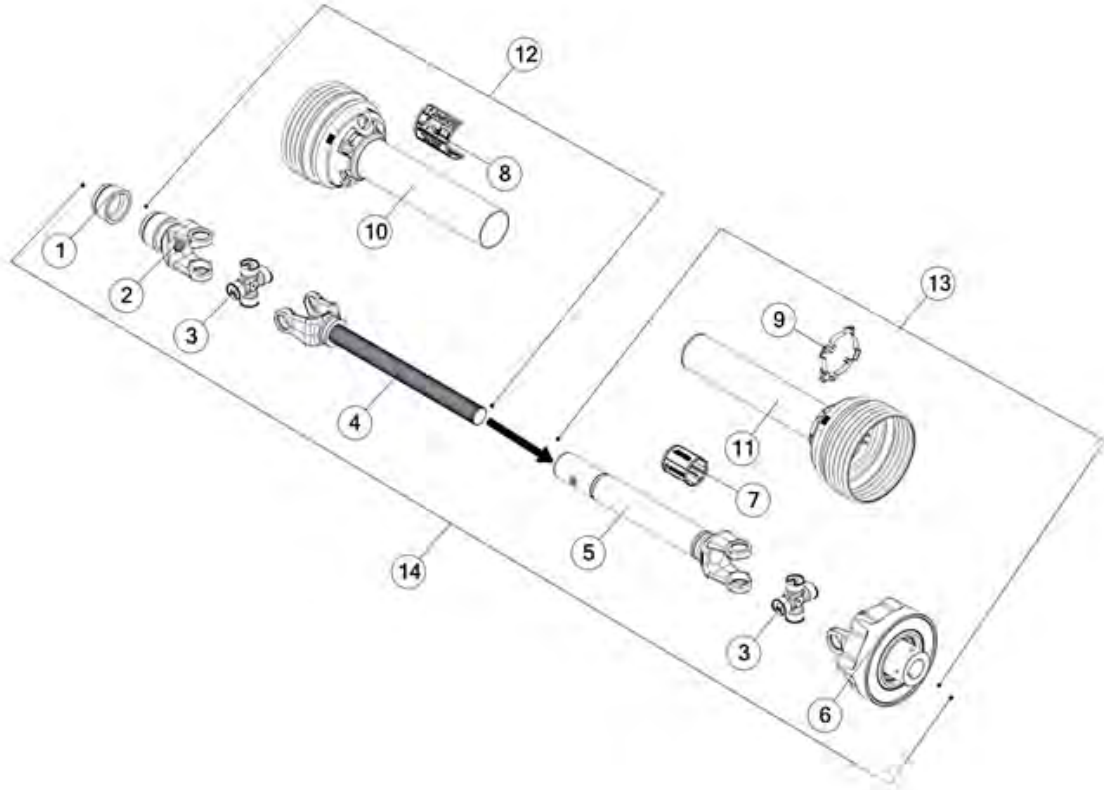
1-3/8 540 RPM CLUTCHED PTO OPTION



<u>ITEM</u>	<u>PART #</u>	<u>DESCRIPTIONS</u>
1	16SV274	ASSY, AUTO LOCK REPAIR KIT
2	42N115	ASSY, YOKE, 35, SLIDE LOCK
3	16SV179	ASSY, CROSS KIT, 35R
4	61375	ASSY, PTO HALF SHAFT
5	61378	WLDMT, HALF SHAFT
6	61379	ASSY, PTO CLUTCH, 22,300
7	16SV388	DECAL, PTO SAFETY INNER GUARD
8	16SV283	DECAL, PTO SAFETY
9	16SV383	ASSY, GUARD REPAIR KIT
10	61371	ASSY, HALF SHAFT GUARDED
11	61373	ASSY, HALF SHAFT, GUARDED
12	60255	PTO, 540, 1.375 X 6, 38.0, 23K
13	61376	PTO, GUARD, OUTER
14	61377	PTO, GUARD, INNER
*	S402	ADMA SAFETY MANUAL

FIGURE 19

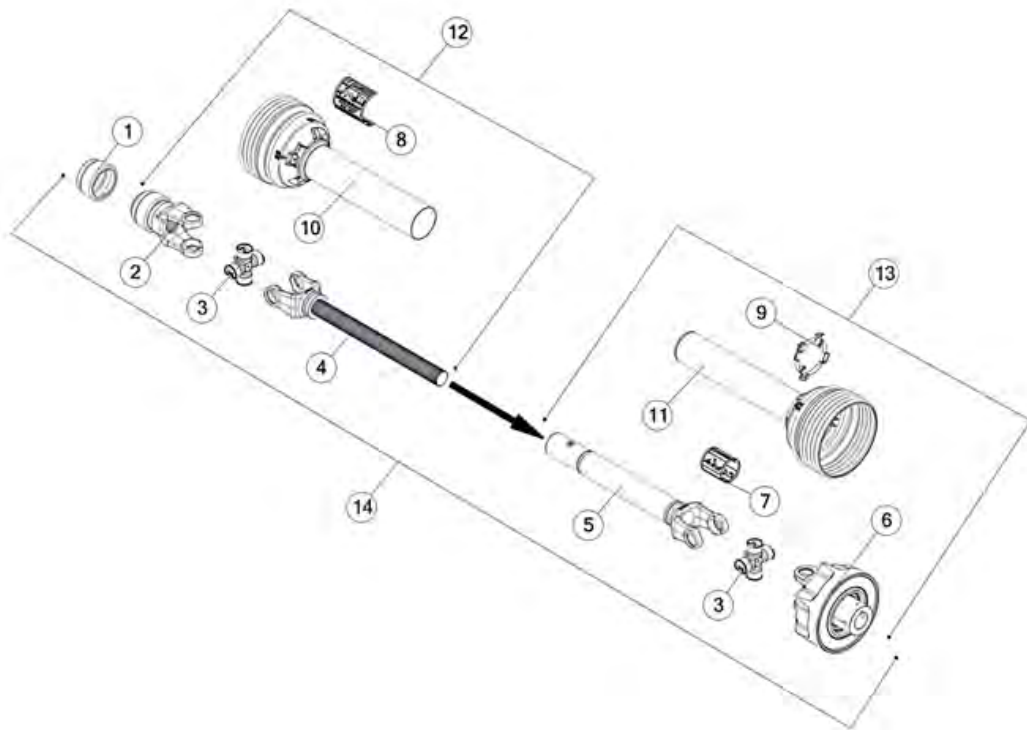
1-3/8 1000 RPM CLUTCHED PTO OPTION



<u>ITEM</u>	<u>PART #</u>	<u>DESCRIPTIONS</u>
1	16SV274	ASSY, AUTO LOCK REPAIR KIT
2	55N68	ASSY, YOKE, 35, SLIDE LOCK
3	16SV179	ASSY, CROSS KIT, 35R
4	61375	ASSY, PTO HALF SHAFT
5	61378	WLDMT, HALF SHAFT
6	74196	ASSM, PTO CLUTCH, 16,688
7	16SV388	DECAL, PTO SAFETY INNER GUARD
8	16SV283	DECAL, PTO SAFETY
9	16SV383	ASSY, GUARD REPAIR KIT
10	61376	PTO, GUARD, OUTER
11	61377	PTO, GUARD, INNER
12	74400	ASSY, HALF SHAFT, GUARDED
13	74401	ASSY, HALF SHAFT, GUARDED
14	60422	PTO, 1000, 1.375 X 21, 38.0, 16K
*	S402	ADMA SAFETY MANUAL

FIGURE 20

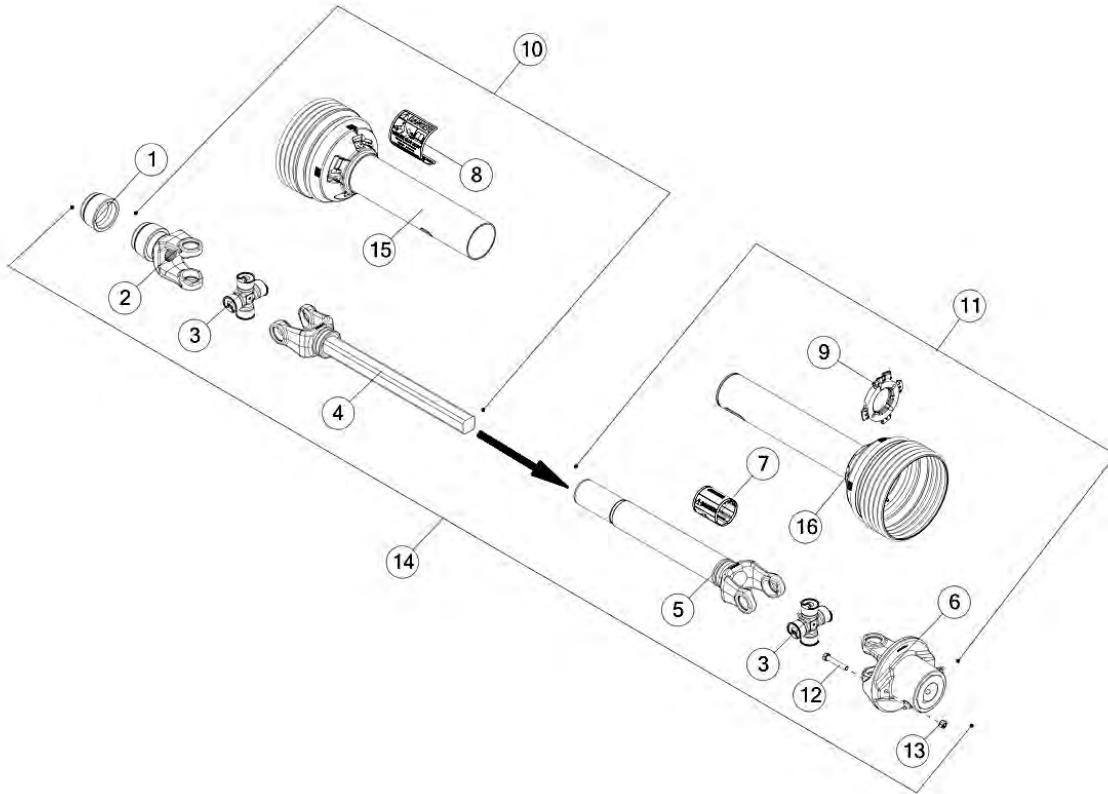
1-3/4 1000 RPM CLUTCHED PTO OPTION



<u>ITEM</u>	<u>PART #</u>	<u>DESCRIPTIONS</u>
1	16SV275	ASSY, AUTO LOCK REPAIR KIT
2	55N69	ASSY, YOKE, 35, SLIDE LOCK
3	16SV179	ASSY, CROSS KIT, 35R
4	61375	ASSY, PTO HALF SHAFT
5	61378	WLDMT, HALF SHAFT
6	74196	ASSM, PTO CLUTCH, 16,688
7	16SV388	DECAL, PTO SAFETY INNER GUARD
8	16SV283	DECAL, PTO SAFETY
9	16SV383	ASSY, GUARD REPAIR KIT
10	61376	PTO, GUARD, OUTER
11	61377	PTO, GUARD, INNER
12	74398	ASSY, HALF SHAFT, GUARDED
13	74401	ASSY, HALF SHAFT, GUARDED
14	74390	PTO, 1000, 1.75 X 20, 38.0, 16K
*	S402	ADMA SAFETY MANUAL

FIGURE 21

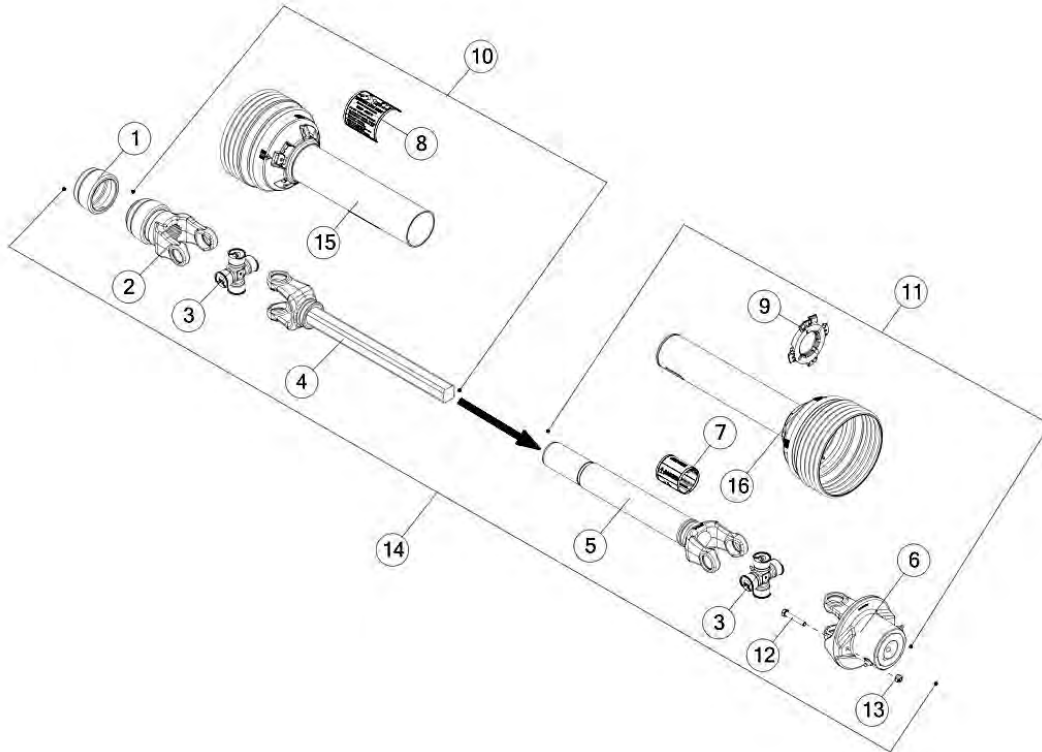
1-3/8 1000 RPM SHEAR BOLT PTO OPTION



<u>ITEM</u>	<u>PART #</u>	<u>DESCRIPTIONS</u>
1	16SV274	ASSY, AUTO LOCK REPAIR KIT
2	55N68	ASSY, YOKE, 35, SLIDE LOCK
3	16SV179	ASSY, CROSS KIT, 35R
4	42N116	YOKE, SHAFT, FRONT
5	42N119	YOKE, TUBE, SLIP SLEEVE
6	42N120	ASSY, PTO SHEAR HUB
7	16SV388	DECAL, PTO SAFETY INNER GUARD
8	16SV283	DECAL, PTO SAFETY
9	16SV181	NYLON REPAIR
10	55N72	ASSY, HALF SHAFT, GUARDED
11	55N76	ASSY, HALF SHAFT, GUARDED
12	YBHH10070	BOLT, 5/16 X 2 GR 5
13	YNTL10005	HEX NUT, TOP LOCK, 5/16-18
14	55N78	PTO, 1000, 1.375 X 21, 38.0, 16K
15	42N117	OUTER GUARD
16	42N118	INNER GUARD
*	S402	ADMA SAFETY MANUAL

FIGURE 22

1-3/4 1000 RPM SHEAR BOLT PTO OPTION



<u>ITEM</u>	<u>PART #</u>	<u>DESCRIPTIONS</u>
1	16SV275	ASSY, AUTO LOCK REPAIR KIT
2	55N69	ASSY, YOKE, 35, SLIDE LOCK
3	16SV179	ASSY, CROSS KIT, 35R
4	42N116	YOKE, SHAFT, FRONT
5	42N119	YOKE, TUBE, SLIP SLEEVE
6	42N120	ASSY, PTO SHEAR HUB
7	16SV388	DECAL, PTO SAFETY INNER GUARD
8	16SV283	DECAL, PTO SAFETY
9	16SV181	NYLON REPAIR
10	55N73	ASSY, HALF SHAFT, GUARDED
11	55N76	ASSY, HALF SHAFT, GUARDED
12	YBHH10070	BOLT, 5/16 X 2 GR 5
13	YNTL10005	HEX NUT, TOP LOCK, 5/16-18
14	55N79	PTO, 1000, 1.375 X 21, 38.0, 16K
15	42N117	OUTER GUARD
16	42N118	INNER GUARD
*	S402	ADMA SAFETY MANUAL



**H&S Manufacturing products are approved for the
FEMA SEAL OF QUALITY**

**P.O. BOX 768, MARSHFIELD, WI 54449
(715) 387-3414 FAX (715) 384-5463
www.hsmfgco.com**